

# **EDGE (with GSM) Programming Commands**

**Agilent Technologies E4406A VSA Series  
Transmitter Tester**



**Agilent Technologies**

**Manufacturing Part Number: E4406-90152**

**Printed in USA**

**July 2000**

© Copyright 1999 - 2000 Agilent Technologies, Inc.

The information contained in this document is subject to change without notice.

Agilent Technologies makes no warranty of any kind with regard to this material, including but not limited to, the implied warranties of merchantability and fitness for a particular purpose. Agilent Technologies shall not be liable for errors contained herein or for incidental or consequential damages in connection with the furnishing, performance, or use of this material.

## 1. EDGE (with GSM) Programming Commands

SCPI Command Subsystems . . . . .	12
CALCulate Subsystem . . . . .	13
Test Current Results Against all Limits . . . . .	13
Data Query . . . . .	13
Calculate/Compress Trace Data Query . . . . .	14
Calculate Peaks of Trace Data . . . . .	18
CALCulate:MARKers Subsystem . . . . .	20
Transmit Band Spurs—Type of Limit Testing . . . . .	32
Transmit Band Spurs—Define Limits . . . . .	32
CONFigure Subsystem . . . . .	33
Configure the Selected Measurement . . . . .	33
Configure Query . . . . .	33
DISPlay Subsystem . . . . .	34
Spectrum - Y-Axis Reference Level . . . . .	34
Turn a Trace Display On/Off . . . . .	35
Waveform - Y-Axis Reference Level . . . . .	38
FETCh Subsystem . . . . .	39
Fetch the Current Measurement Results . . . . .	39
MEASure Group of Commands . . . . .	40
Measure Commands . . . . .	40
Configure Commands . . . . .	41
Fetch Commands . . . . .	42
Read Commands . . . . .	42
EDGE Error Vector Magnitude Measurement . . . . .	43
EDGE Output RF Spectrum Measurement . . . . .	46
EDGE Power vs. Time Measurement . . . . .	49
Output RF Spectrum Measurement . . . . .	52
Phase & Frequency Error Measurement . . . . .	54
Power vs. Time Measurement . . . . .	57
Spectrum (Frequency Domain) Measurement . . . . .	59
Transmit Band Spurs Measurement . . . . .	62
Transmit Power Measurement . . . . .	63
Waveform (Time Domain) Measurement . . . . .	65
READ Subsystem . . . . .	67
Initiate and Read Measurement Data . . . . .	67
SENSe Subsystem . . . . .	68
Select the ARFCN—Absolute RF Channel Number . . . . .	68
Select the Lowest ARFCN . . . . .	69
Select the Middle ARFCN . . . . .	70
Select the Highest ARFCN . . . . .	70
Channel Burst Type . . . . .	71
Time Slot number . . . . .	72
Time Slot Auto . . . . .	72
Training Sequence Code (TSC) . . . . .	73
Training Sequence Code (TSC) Auto . . . . .	74
Correction for BTS RF Port External Attenuation . . . . .	74
EDGE Error Vector Magnitude Measurement . . . . .	75
EDGE Output RF Spectrum Measurement . . . . .	78

---

# Contents

EDGE Power vs. Time (Burst Power) Measurement .....	91
Output RF Spectrum Measurement .....	102
Phase & Frequency Error Measurement .....	116
RF Port Power Range Auto .....	118
RF Port Power Range Maximum Total Power .....	119
Power vs. Time (Burst Power) Measurement .....	120
Radio Carrier Hopping .....	132
Radio Carrier Burst .....	132
Radio Device Under Test .....	133
Radio Base Station Type .....	133
Radio Standard Band .....	134
Spectrum (Frequency-Domain) Measurement .....	135
Sync Alignment .....	146
Sync Burst RF Amplitude Delay .....	146
Burst Search Threshold .....	147
Transmit Band Spurs Measurement .....	148
Transmit Power Measurement .....	151
Waveform (Time-Domain) Measurement .....	156

---

## Commands

:CALCulate:CLIMits:FAIL? .....	21
:CALCulate:DATA[n]? .....	21
:CALCulate:DATA[n]:COMPRESS? BLOCK   CFIT   MAXimum   MEAN   MINimum   RMS   SAMPLE   SDEVIation {,<soffset>},{,<length>},{,<roffset>} .....	22
:CALCulate:DATA[n]:PEAKs? <threshold>,<excursion>[,AMPLitude   FREQuency   TIME] .....	26
:CALCulate:<measurement>:MARKer:AOFF .....	31
:CALCulate:<measurement>:MARKer[1]   2   3   4:FUNCTION BPOWER   NOISE   OFF .....	31
:CALCulate:<measurement>:MARKer[1]   2   3   4:FUNCTION? .....	31
:CALCulate:<measurement>:MARKer[1]   2   3   4:FUNCTION:RESult? .....	32
:CALCulate:<measurement>:MARKer[1]   2   3   4:MAXimum .....	32
:CALCulate:<measurement>:MARKer[1]   2   3   4:MINimum .....	33
:CALCulate:<measurement>:MARKer[1]   2   3   4:MODE POSition   DELTa .....	33
:CALCulate:<measurement>:MARKer[1]   2   3   4:MODE? .....	33
:CALCulate:<measurement>:MARKer[1]   2   3   4[:STATe] OFF   ON   0   1 .....	34
:CALCulate:<measurement>:MARKer[1]   2   3   4[:STATe]? .....	34
:CALCulate:<measurement>:MARKer[1]   2   3   4:TRACe <trace_name> .....	34
:CALCulate:<measurement>:MARKer[1]   2   3   4:TRACe? .....	34
:CALCulate:<measurement>:MARKer[1]   2   3   4:X <param> .....	38
:CALCulate:<measurement>:MARKer[1]   2   3   4:X? .....	38
:CALCulate:<measurement>:MARKer[1]   2   3   4:X:POSition <integer> .....	38
:CALCulate:<measurement>:MARKer[1]   2   3   4:X:POSition? .....	38
:CALCulate:<measurement>:MARKer[1]   2   3   4:Y? .....	39
:CALCulate:TSPur:LIMit:TEST ABSolute   RELative .....	40
:CALCulate:TSPur:LIMit:TEST? .....	40
:CALCulate:TSPur:LIMit[:UPPer][:DATA] <power> .....	40
:CALCulate:TSPur:LIMit[:UPPer][:DATA]? .....	40
:CONFigure:<measurement> .....	41
:CONFigure? .....	41
:DISPlay:SPECtrum[n]:WINDow[m]:TRACe:Y[:SCALe]:RLEVel <power> .....	42
:DISPlay:SPECtrum[n]:WINDow[m]:TRACe:Y[:SCALe]:RLEVel? .....	42
:DISPlay:TRACe[n][:STATe] OFF   ON   0   1 .....	43

---

## Commands

:DISPlay:TRACe[n][:STATe]? .....	43
:DISPlay:WAVeform[n]:WINDow[m]:TRACe:Y[:SCALe]:RLEVel <power> .....	46
:DISPlay:WAVeform[n]:WINDow[m]:TRACe:Y[:SCALe]:RLEVel? .....	46
:FETCh:<measurement>[n]? .....	47
:MEASure:<measurement>[n]? .....	48
:CONFigure:<measurement> .....	49
:FETCh:<measurement>[n]? .....	50
:READ:<measurement>[n]? .....	50
:CONFigure:EEVM .....	51
:FETCh:EEVM[n]? .....	51
:READ:EEVM[n]? .....	51
:MEASure:EEVM[n]? .....	51
:CONFigure:EORFspectr .....	54
:FETCh:EORFspectr[n]? .....	54
:READ:EORFspectr[n]? .....	54
:MEASure:EORFspectr[n]? .....	54
:CONFigure:EPVTime .....	57
:FETCh:EPVTime[n]? .....	57
:READ:EPVTime[n]? .....	57
:MEASure:EPVTime[n]? .....	57
:CONFigure:ORFSpectrum .....	60
:FETCh:ORFSpectrum[n]? .....	60
:READ:ORFSpectrum[n]? .....	60
:MEASure:ORFSpectrum[n]? .....	60
:CONFigure:PFERror .....	62
:FETCh:PFERror[n]? .....	62
:READ:PFERror[n]? .....	62
:MEASure:PFERror[n]? .....	62
:CONFigure:PVTime .....	65
:FETCh:PVTime[n]? .....	65
:READ:PVTime[n]? .....	65

---

# Commands

:MEASure:PVTime[n]?	65
:CONFigure:SPECtrum	67
:FETCh:SPECtrum[n]?	67
:READ:SPECtrum[n]?	67
:MEASure:SPECtrum[n]?	67
:CONFigure:TSPur	70
:FETCh:TSPur[n]?	70
:READ:TSPur[n]?	70
:MEASure:TSPur[n]?	70
:CONFigure:TXPower	71
:FETCh:TXPower[n]?	71
:READ:TXPower[n]?	71
:MEASure:TXPower[n]?	71
:CONFigure:WAVeform	73
:FETCh:WAVeform[n]?	73
:READ:WAVeform[n]?	73
:MEASure:WAVeform[n]?	73
:READ:<measurement>[n]?	75
[:SENSe]:CHANnel:ARFCn   RFCHannel <integer>	76
[:SENSe]:CHANnel:ARFCn   RFCHannel?	76
[:SENSe]:CHANnel:ARFCn   RFCHannel:BOTTom	77
[:SENSe]:CHANnel:ARFCn   RFCHannel:MIDDLE	78
[:SENSe]:CHANnel:ARFCn   RFCHannel:TOP	78
[:SENSe]:CHANnel:BURSt NORMAl   SYNC   ACCess	79
[:SENSe]:CHANnel:BURSt?	79
[:SENSe]:CHANnel:SLOT <integer>	80
[:SENSe]:CHANnel:SLOT?	80
[:SENSe]:CHANnel:SLOT:AUTO OFF   ON   0   1	80
[:SENSe]:CHANnel:SLOT:AUTO?	80
[:SENSe]:CHANnel:TSCode <integer>	81
[:SENSe]:CHANnel:TSCode?	81

---

## Commands

[:SENSe]:CHANnel:TSCode:AUTO OFF   ON   0   1 .....	.82
[:SENSe]:CHANnel:TSCode:AUTO? .....	.82
[:SENSe]:CORRection:BTS[:RF]:LOSS <rel_power> .....	.82
[:SENSe]:CORRection:BTS[:RF]:LOSS? .....	.82
[:SENSe]:EEVM:AVERAge[:STATe] OFF   ON   0   1 .....	.83
[:SENSe]:EEVM:AVERAge[:STATe]? .....	.83
[:SENSe]:EEVM:AVERAge:TCONtrol EXPOntial   REPeat .....	.83
[:SENSe]:EEVM:AVERAge:TCONtrol? .....	.83
[:SENSe]:EEVM:BSYNc:SOURce RFBurst   TSEQuence   NONE .....	.84
[:SENSe]:EEVM:BSYNc:SOURce? .....	.84
[:SENSe]:EEVM:TRACe:FILTer FLAT   LINear .....	.84
[:SENSe]:EEVM:TRACe:FILTer? .....	.84
[:SENSe]:EEVM:TRACe:SDOTs <integer> .....	.85
[:SENSe]:EEVM:TRACe:SDOTs? .....	.85
[:SENSe]:EEVM:TRIGger:SOURce EXTernal[1]   EXTernal2   FRAMe   IF   IMMEDIATE   RFBurst .....	.85
[:SENSe]:EEVM:TRIGger:SOURce? .....	.85
[:SENSe]:EORFspectr:AVERAge:COUNt <integer> .....	.86
[:SENSe]:EORFspectr:AVERAge:COUNt? .....	.86
[:SENSe]:EORFspectr:AVERAge:FAST[:STATe] OFF   ON   0   1 .....	.87
[:SENSe]:EORFspectr:AVERAge:FAST[:STATe]? .....	.87
[:SENSe]:EORFspectr:AVERAge:MODulation:TYPE LOG   RMS .....	.87
[:SENSe]:EORFspectr:AVERAge:MODulation:TYPE? .....	.87
[:SENSe]:EORFspectr:AVERAge[:STATe] OFF   ON   0   1 .....	.88
[:SENSe]:EORFspectr:AVERAge[:STATe]? .....	.88
[:SENSe]:EORFspectr:AVERAge:SWITChing:TYPE LOG   RMS .....	.88
[:SENSe]:EORFspectr:AVERAge:SWITChing:TYPE? .....	.88
[:SENSe]:EORFspectr:BANDwidth   BWIDth[:RESolution] :MODulation:CARRier <freq> .....	.88
[:SENSe]:EORFspectr:BANDwidth   BWIDth[:RESolution] :MODulation:CARRier? .....	.88
[:SENSe]:EORFspectr:BANDwidth   BWIDth[:RESolution] :MODulation:OFFSet:CLOSe <freq> .....	.89



---

# Commands

[:SENSe]:EORFspectr:BANDwidth   BWIDth[:RESolution] :MODulation:OFFSet:CLOSe? . . . . .	89
[:SENSe]:EORFspectr:BANDwidth   BWIDth[:RESolution] :MODulation:OFFSet:FAR <freq> . . . . .	90
[:SENSe]:EORFspectr:BANDwidth   BWIDth[:RESolution] :MODulation:OFFSet:FAR? . . . . .	90
[:SENSe]:EORFspectr:BANDwidth   BWIDth[:RESolution] :SWITching:CARRier <freq> . . . . .	90
[:SENSe]:EORFspectr:BANDwidth   BWIDth[:RESolution] :SWITching:CARRier? . . . . .	90
[:SENSe]:EORFspectr:BANDwidth   BWIDth[:RESolution] :SWITching:OFFSet:CLOSe <freq> . . . . .	91
[:SENSe]:EORFspectr:BANDwidth   BWIDth[:RESolution] :SWITching:OFFSet:CLOSe? . . . . .	91
[:SENSe]:EORFspectr:BANDwidth   BWIDth[:RESolution] :SWITching:OFFSet:FAR <freq> . . . . .	91
[:SENSe]:EORFspectr:BANDwidth   BWIDth[:RESolution] :SWITching:OFFSet:FAR? . . . . .	91
[:SENSe]:EORFspectr:BFRequency <freq>. . . . .	92
[:SENSe]:EORFspectr:BFRequency? . . . . .	92
[:SENSe]:EORFspectr:LIST:MODulation:BANDwidth   BWIDth <res bw>{,<res bw>} . . . . .	92
[:SENSe]:EORFspectr:LIST:MODulation:BANDwidth   BWIDth? . . . . .	92
[:SENSe]:EORFspectr:LIST:MODulation[:FREQuency] <offset freq>{,<offset freq>} . . . . .	93
[:SENSe]:EORFspectr:LIST:MODulation[:FREQuency]? . . . . .	93
[:SENSe]:EORFspectr:LIST:MODulation:LOFFset <level>{,<level>}. . . . .	94
[:SENSe]:EORFspectr:LIST:MODulation:LOFFset? . . . . .	94
[:SENSe]:EORFspectr:LIST:SElect CUSTom   SHORt   STANdard . . . . .	95
[:SENSe]:EORFspectr:LIST:SElect? . . . . .	95
[:SENSe]:EORFspectr:LIST:SWITching:BANDwidth   BWIDth <res bw>{,<res bw>} . . . . .	96
[:SENSe]:EORFspectr:LIST:SWITching:BANDwidth   BWIDth? . . . . .	96
[:SENSe]:EORFspectr:LIST:SWITching[:FREQuency] <offset freq>{,<offset freq>} . . . . .	96
[:SENSe]:EORFspectr:LIST:SWITching[:FREQuency]? . . . . .	96

---

## Commands

[[:SENSE]:EORFspectr:LIST:SWITching:LOFFset <level>{,<level>} . . . . .	.97
[[:SENSE]:EORFspectr:LIST:SWITching:LOFFset? . . . . .	.97
[[:SENSE]:EORFspectr:MEASure MULTiple   SINGLE . . . . .	.98
[[:SENSE]:EORFspectr:MEASure? . . . . .	.98
[[:SENSE]:EORFspectr:OFRequency <freq> . . . . .	.98
[[:SENSE]:EORFspectr:OFRequency? . . . . .	.98
[[:SENSE]:EORFspectr:TYPE MODulation   MSWitching   SWITching . . . . .	.99
[[:SENSE]:EORFspectr:TYPE? . . . . .	.99
[[:SENSE]:EPVTime:AVERage:COUNT <integer>. . . . .	.99
[[:SENSE]:EPVTime:AVERage:COUNT? . . . . .	.99
[[:SENSE]:EPVTime:AVERage[:STATe] OFF   ON   0   1 . . . . .	.100
[[:SENSE]:EPVTime:AVERage[:STATe]? . . . . .	.100
[[:SENSE]:EPVTime:AVERage:TCONtrol EXPonential   REPeat. . . . .	.100
[[:SENSE]:EPVTime:AVERage:TCONtrol? . . . . .	.100
[[:SENSE]:EPVTime:AVERage:TYPE LOG   MAXimum   MINimum   MXMinimum   RMS . . . . .	.100
[[:SENSE]:EPVTime:AVERage:TYPE? . . . . .	.100
[[:SENSE]:EPVTime:BANDwidth   BWIDth[:RESolution] <freq> . . . . .	.101
[[:SENSE]:EPVTime:BANDwidth   BWIDth[:RESolution]? . . . . .	.101
[[:SENSE]:EPVTime:BANDwidth   BWIDth[:RESolution]:TYPE FLATtop   GAUSSian . . . . .	.101
[[:SENSE]:EPVTime:BANDwidth   BWIDth[:RESolution]:TYPE? . . . . .	.101
[[:SENSE]:EPVTime:BSYNc:SOURce RFBurst   TSEQUence. . . . .	.102
[[:SENSE]:EPVTime:BSYNc:SOURce? . . . . .	.102
[[:SENSE]:EPVTime:MASK:LIST:LOWer:ABSolute <power>{,<power>} . . . . .	.102
[[:SENSE]:EPVTime:MASK:LIST:LOWer:ABSolute? . . . . .	.102
[[:SENSE]:EPVTime:MASK:LIST:LOWer:POINts? . . . . .	.103
[[:SENSE]:EPVTime:MASK:LIST:LOWer:RELative <rel_power>{,<rel_power>} . . . . .	.103
[[:SENSE]:EPVTime:MASK:LIST:LOWer:RELative? . . . . .	.103
[[:SENSE]:EPVTime:MASK:LIST:LOWer:TIME <seconds>{,<seconds>} . . . . .	.103
[[:SENSE]:EPVTime:MASK:LIST:LOWer:TIME? . . . . .	.103
[[:SENSE]:EPVTime:MASK:SELEct STANDard   CUSTom . . . . .	.104
[[:SENSE]:EPVTime:MASK:SELEct? . . . . .	.104

---

## Commands

[:SENSe]:EPVTime:MASK:LIST:UPPer:ABSolute <power>{,<power>} . . . . .	105
[:SENSe]:EPVTime:MASK:LIST:UPPer:ABSolute? . . . . .	105
[:SENSe]:EPVTime:MASK:LIST:UPPer:POINts? . . . . .	105
[:SENSe]:EPVTime:MASK:LIST:UPPer:RELative <rel_power>{,<rel_power>}. . . . .	106
[:SENSe]:EPVTime:MASK:LIST:UPPer:RELative? . . . . .	106
[:SENSe]:EPVTime:MASK:LIST:UPPer:TIME <seconds>{,<seconds>} . . . . .	106
[:SENSe]:EPVTime:MASK:LIST:UPPer:TIME? . . . . .	106
[:SENSe]:EPVTime:SWEEp:TIME <integer> . . . . .	108
[:SENSe]:EPVTime:SWEEp:TIME? . . . . .	108
[:SENSe]:EPVTime:TRIGger:SOURce EXTernal[1]   EXTernal2   FRAMe   IF   IMMEDIATE   RFBurst . . . . .	109
[:SENSe]:EPVTime:TRIGger:SOURce? . . . . .	109
[:SENSe]:ORFSpectrum:AVERage:COUNt <integer> . . . . .	110
[:SENSe]:ORFSpectrum:AVERage:COUNt? . . . . .	110
[:SENSe]:ORFSpectrum:AVERage:FAST[:STATe] OFF   ON   0   1 . . . . .	110
[:SENSe]:ORFSpectrum:AVERage:FAST[:STATe]? . . . . .	110
[:SENSe]:ORFSpectrum:AVERage:MODulation:TYPE LOG   RMS . . . . .	111
[:SENSe]:ORFSpectrum:AVERage:MODulation:TYPE? . . . . .	111
[:SENSe]:ORFSpectrum:AVERage[:STATe] OFF   ON   0   1 . . . . .	111
[:SENSe]:ORFSpectrum:AVERage[:STATe]? . . . . .	111
[:SENSe]:ORFSpectrum:AVERage:SWITching:TYPE LOG   RMS . . . . .	112
[:SENSe]:ORFSpectrum:AVERage:SWITching:TYPE? . . . . .	112
[:SENSe]:ORFSpectrum:BANDwidth   BWIDth[:RESolution] :MODulation:CARRier <freq> . . . . .	112
[:SENSe]:ORFSpectrum:BANDwidth   BWIDth[:RESolution] :MODulation:CARRier? . . . . .	112
[:SENSe]:ORFSpectrum:BANDwidth   BWIDth[:RESolution] :MODulation:OFFSet:CLOSe <freq>. . . . .	113
[:SENSe]:ORFSpectrum:BANDwidth   BWIDth[:RESolution] :MODulation:OFFSet:CLOSe? . . . . .	113
[:SENSe]:ORFSpectrum:BANDwidth   BWIDth[:RESolution] :MODulation:OFFSet:FAR <freq> . . . . .	113
[:SENSe]:ORFSpectrum:BANDwidth   BWIDth[:RESolution] :MODulation:OFFSet:FAR? . . . . .	113

---

# Commands

[[:SENSe]:ORFSpectrum:Bandwidth   BWidth[:RESolution] :SWITching:CARRier <freq> . . . . .	.114
[[:SENSe]:ORFSpectrum:Bandwidth   BWidth[:RESolution] :SWITching:CARRier? . . . . .	.114
[[:SENSe]:ORFSpectrum:Bandwidth   BWidth[:RESolution] :SWITching:OFFSet:CLoSe <freq> . . . . .	.114
[[:SENSe]:ORFSpectrum:Bandwidth   BWidth[:RESolution] :SWITching:OFFSet:CLoSe? . . . . .	.114
[[:SENSe]:ORFSpectrum:Bandwidth   BWidth[:RESolution] :SWITching:OFFSet:FAR <freq> . . . . .	.115
[[:SENSe]:ORFSpectrum:Bandwidth   BWidth[:RESolution] :SWITching:OFFSet:FAR? . . . . .	.115
[[:SENSe]:ORFSpectrum:BFRequency <freq> . . . . .	.115
[[:SENSe]:ORFSpectrum:BFRequency? . . . . .	.115
[[:SENSe]:ORFSpectrum:LIST:MODulation:Bandwidth   BWidth <res bw>{,<res bw>}. . . . .	.116
[[:SENSe]:ORFSpectrum:LIST:MODulation:Bandwidth   BWidth? . . . . .	.116
[[:SENSe]:ORFSpectrum:LIST:MODulation[:FREQuency] <offset freq>{,<offset freq>}. . . . .	.116
[[:SENSe]:ORFSpectrum:LIST:MODulation[:FREQuency]? . . . . .	.116
[[:SENSe]:ORFSpectrum:LIST:MODulation:LOFFset <level>{,<level>}. . . . .	.117
[[:SENSe]:ORFSpectrum:LIST:MODulation:LOFFset? . . . . .	.117
[[:SENSe]:ORFSpectrum:LIST:SElect CUSTom   SHORt   STANdard . . . . .	.118
[[:SENSe]:ORFSpectrum:LIST:SElect? . . . . .	.118
[[:SENSe]:ORFSpectrum:LIST:SWITching:Bandwidth   BWidth <res bw>{,<res bw>}. . . . .	.119
[[:SENSe]:ORFSpectrum:LIST:SWITching:Bandwidth   BWidth? . . . . .	.119
[[:SENSe]:ORFSpectrum:LIST:SWITching[:FREQuency] <offset freq>{,<offset freq>}. . . . .	.120
[[:SENSe]:ORFSpectrum:LIST:SWITching[:FREQuency]? . . . . .	.120
[[:SENSe]:ORFSpectrum:LIST:SWITching:LOFFset <level>{,<level>}. . . . .	.121
[[:SENSe]:ORFSpectrum:LIST:SWITching:LOFFset? . . . . .	.121
[[:SENSe]:ORFSpectrum:MEASure MULTiple   SINGle . . . . .	.121
[[:SENSe]:ORFSpectrum:MEASure? . . . . .	.121
[[:SENSe]:ORFSpectrum:OFRequency <freq> . . . . .	.122

---

## Commands

[:SENSe]:ORFSpectrum:OFRequency? .....	122
[:SENSe]:ORFSpectrum:TRIGger:SOURce EXTernal[1]   EXTernal2   FRAMe   IMMEDIATE   RFBurst .....	122
[:SENSe]:ORFSpectrum:TRIGger:SOURce? .....	122
[:SENSe]:ORFSpectrum:TYPE MODulation   MSWitching   SWITching .....	123
[:SENSe]:ORFSpectrum:TYPE? .....	123
[:SENSe]:PFERror:AVERAge:COUNT <integer> .....	124
[:SENSe]:PFERror:AVERAge:COUNT? .....	124
[:SENSe]:PFERror:AVERAge[:STATe] OFF   ON   0   1 .....	124
[:SENSe]:PFERror:AVERAge[:STATe]? .....	124
[:SENSe]:PFERror:AVERAge:TCONtrol EXPonential   REPeat .....	124
[:SENSe]:PFERror:AVERAge:TCONtrol? .....	124
[:SENSe]:PFERror:BSYNc:SOURce EXTernal[1]   EXTernal2   NONE   RFBurst   TSEQUence. . .	125
[:SENSe]:PFERror:BSYNc:SOURce? .....	125
[:SENSe]:PFERror:TRIGger:SOURce EXTernal[1]   EXTernal2   FRAMe   IF   IMMEDIATE   RFBurst .....	126
[:SENSe]:PFERror:TRIGger:SOURce? .....	126
[:SENSe]:POWER[:RF]:RANGe:AUTO OFF   ON   0   1 .....	126
[:SENSe]:POWER[:RF]:RANGe:AUTO? .....	126
[:SENSe]:POWER[:RF]:RANGe[:UPPer] <power> .....	127
[:SENSe]:POWER[:RF]:RANGe[:UPPer]? .....	127
[:SENSe]:PVTime:AVERAge:COUNT <integer> .....	128
[:SENSe]:PVTime:AVERAge:COUNT? .....	128
[:SENSe]:PVTime:AVERAge[:STATe] OFF   ON   0   1 .....	128
[:SENSe]:PVTime:AVERAge[:STATe]? .....	128
[:SENSe]:PVTime:AVERAge:TCONtrol EXPonential   REPeat .....	129
[:SENSe]:PVTime:AVERAge:TCONtrol? .....	129
[:SENSe]:PVTime:AVERAge:TYPE LOG   MAXimum   MINimum   MXMinimum   RMS .....	129
[:SENSe]:PVTime:AVERAge:TYPE? .....	129
[:SENSe]:PVTime:BANDwidth   BWIDth[:RESolution] <freq> .....	130
[:SENSe]:PVTime:BANDwidth   BWIDth[:RESolution]? .....	130
[:SENSe]:PVTime:BANDwidth   BWIDth[:RESolution]:TYPE FLATtop   GAUSSian .....	130

---

## Commands

[:SENSe]:PVTime:Bandwidth   BWIDth[:RESolution]:TYPE? .....	130
[:SENSe]:PVTime:BSYNc:SOURce RFBurst   TSEQUence .....	131
[:SENSe]:PVTime:BSYNc:SOURce? .....	131
[:SENSe]:PVTime:MASK:LIST:LOWer:ABSolute <power>{,<power>} .....	131
[:SENSe]:PVTime:MASK:LIST:LOWer:ABSolute? .....	131
[:SENSe]:PVTime:MASK:LIST:LOWer:POINts? .....	132
[:SENSe]:PVTime:MASK:LIST:LOWer:RELative <rel_power>{,<rel_power>} .....	133
[:SENSe]:PVTime:MASK:LIST:LOWer:RELative? .....	133
[:SENSe]:PVTime:MASK:LIST:LOWer:TIME <seconds>{,<seconds>} .....	133
[:SENSe]:PVTime:MASK:LIST:LOWer:TIME? .....	133
[:SENSe]:PVTime:MASK:SElect STANDard   CUSTom .....	134
[:SENSe]:PVTime:MASK:SElect? .....	134
[:SENSe]:PVTime:MASK:LIST:UPPer:ABSolute <power>{,<power>} .....	135
[:SENSe]:PVTime:MASK:LIST:UPPer:ABSolute? .....	135
[:SENSe]:PVTime:MASK:LIST:UPPer:POINts? .....	135
[:SENSe]:PVTime:MASK:LIST:UPPer:RELative <rel_power>{,<rel_power>} .....	136
[:SENSe]:PVTime:MASK:LIST:UPPer:RELative? .....	136
[:SENSe]:PVTime:MASK:LIST:UPPer:TIME <seconds>{,<seconds>} .....	136
[:SENSe]:PVTime:MASK:LIST:UPPer:TIME? .....	136
[:SENSe]:PVTime:SWEp:TIME <integer> .....	138
[:SENSe]:PVTime:SWEp:TIME? .....	138
[:SENSe]:PVTime:TRIGger:SOURce EXTernal[1]   EXTernal2   FRAMe   IF   IMMEDIATE   RFBurst .....	139
[:SENSe]:PVTime:TRIGger:SOURce? .....	139
[:SENSe]:RADio:CARRier:HOP OFF   ON   0   1 .....	140
[:SENSe]:RADio:CARRier:HOP? .....	140
[:SENSe]:RADio:CARRier[:TYPE] BURSt   CONTinuous .....	140
[:SENSe]:RADio:CARRier[:TYPE]? .....	140
[:SENSe]:RADio:DEVice BTS   MS .....	141
[:SENSe]:RADio:DEVice? .....	141
[:SENSe]:RADio:DEVice:BASE[:TYPE] NORMal   MICRo   PICO .....	141

---

## Commands

[:SENSe]:RADio:DEVIce:BASE[:TYPE]?	141
[:SENSe]:RADio:STANdard:BAND PGSM   EGSM   RGSM   DCS   PCS   GSM450   GSM480   GSM850	142
[:SENSe]:RADio:STANdard:BAND?	142
[:SENSe]:SPEcTrum:ACQuisition:PACKing AUTO   LONG   MEDium   SHORt	143
[:SENSe]:SPEcTrum:ACQuisition:PACKing?	143
[:SENSe]:SPEcTrum:ADC:DITHer[:STATe] AUTO   ON   OFF   2   1   0	143
[:SENSe]:SPEcTrum:ADC:DITHer[:STATe]?	143
[:SENSe]:SPEcTrum:ADC:RANGe AUTO   APeak   APlock   M6   P0   P6   P12   P18   P24	143
[:SENSe]:SPEcTrum:ADC:RANGe?	143
[:SENSe]:SPEcTrum:AVERAge:CLear	145
[:SENSe]:SPEcTrum:AVERAge:COUNT <integer>	145
[:SENSe]:SPEcTrum:AVERAge:COUNT?	145
[:SENSe]:SPEcTrum:AVERAge[:STATe] OFF   ON   0   1	145
[:SENSe]:SPEcTrum:AVERAge[:STATe]?	145
[:SENSe]:SPEcTrum:AVERAge:TCONtrol EXponenTial   REPeat	146
[:SENSe]:SPEcTrum:AVERAge:TCONtrol?	146
[:SENSe]:SPEcTrum:AVERAge:TYPE LOG   MAXimum   MINimum   RMS   SCALar	146
[:SENSe]:SPEcTrum:AVERAge:TYPE?	146
[:SENSe]:SPEcTrum:BANDwidth   BWIDth:PADC OFF   ON   0   1	147
[:SENSe]:SPEcTrum:BANDwidth   BWIDth:PADC?	147
[:SENSe]:SPEcTrum:BANDwidth   BWIDth:PFFT:AUTO OFF   ON   0   1	147
[:SENSe]:SPEcTrum:BANDwidth   BWIDth:PFFT:AUTO?	147
[:SENSe]:SPEcTrum:BANDwidth   BWIDth:PFFT[:SIZE] <freq>	147
[:SENSe]:SPEcTrum:BANDwidth   BWIDth:PFFT[:SIZE]?	147
[:SENSe]:SPEcTrum:BANDwidth   BWIDth:PFFT:TYPE FLAT   GAUSSian	148
[:SENSe]:SPEcTrum:BANDwidth   BWIDth:PFFT:TYPE?	148
[:SENSe]:SPEcTrum:BANDwidth   BWIDth[:RESolution] <freq>	148
[:SENSe]:SPEcTrum:BANDwidth   BWIDth[:RESolution]?	148
[:SENSe]:SPEcTrum:BANDwidth   BWIDth[:RESolution]:AUTO OFF   ON   0   1	149
[:SENSe]:SPEcTrum:BANDwidth   BWIDth[:RESolution]:AUTO?	149

---

## Commands

[:SENSe]:SPECTrum:DECimate[:FACTor] <integer> .....	149
[:SENSe]:SPECTrum:DECimate[:FACTor]? .....	149
[:SENSe]:SPECTrum:FFT:LENGth <integer> .....	150
[:SENSe]:SPECTrum:FFT:LENGth? .....	150
[:SENSe]:SPECTrum:FFT:LENGth:AUTO OFF   ON   0   1 .....	150
[:SENSe]:SPECTrum:FFT:LENGth:AUTO? .....	150
[:SENSe]:SPECTrum:FFT:RBWPoints <real> .....	151
[:SENSe]:SPECTrum:FFT:RBWPoints? .....	151
[:SENSe]:SPECTrum:FFT:WINDow:LENGth <integer> .....	151
[:SENSe]:SPECTrum:FFT:WINDow:LENGth? .....	151
[:SENSe]:SPECTrum:FFT:WINDow[:TYPE] BH4Tap   BLACKman   FLATtop   GAUSSian   HAMMING   HANNing   KB70   KB90   KB110   UNIFORM .....	152
[:SENSe]:SPECTrum:FFT:WINDow[:TYPE]? .....	152
[:SENSe]:SPECTrum:FREQuency:SPAN <freq> .....	153
[:SENSe]:SPECTrum:FREQuency:SPAN? .....	153
[:SENSe]:SPECTrum:TRIGger:SOURce EXTernal[1]   EXTernal2   FRAME   IF   LINE   IMMEDIATE   RFBurst .....	153
[:SENSe]:SPECTrum:TRIGger:SOURce? .....	153
[:SENSe]:SYNC:ALIGnment GSM   HBIT .....	154
[:SENSe]:SYNC:ALIGnment? .....	154
[:SENSe]:SYNC:BURSt:RFAMplitude:DELay <time> .....	154
[:SENSe]:SYNC:BURSt:RFAMplitude:DELay? .....	154
[:SENSe]:SYNC:BURSt:STHReshold <rel_power> .....	155
[:SENSe]:SYNC:BURSt:STHReshold? .....	155
[:SENSe]:TSPur:AVERage:COUNt <integer> .....	156
[:SENSe]:TSPur:AVERage:COUNt? .....	156
[:SENSe]:TSPur:AVERage[:STATe] OFF   ON   0   1 .....	156
[:SENSe]:TSPur:AVERage[:STATe]? .....	156
[:SENSe]:TSPur:AVERage:TCONtrol EXPonential   REPeat .....	157
[:SENSe]:TSPur:AVERage:TCONtrol? .....	157
[:SENSe]:TSPur:AVERage:TYPE LOG   MAXimum   RMS .....	157



---

## Commands

[[:SENSe]:TSPur:AVERage:TYPE? .....	157
[[:SENSe]:TSPur:TYPE EXAMine   FULL .....	158
[[:SENSe]:TSPur:TYPE? .....	158
[[:SENSe]:TXPower:AVERage:COUNt <integer> .....	159
[[:SENSe]:TXPower:AVERage:COUNt? .....	159
[[:SENSe]:TXPower:AVERage[:STATe] OFF   ON   0   1 .....	159
[[:SENSe]:TXPower:AVERage[:STATe]? .....	159
[[:SENSe]:TXPower:AVERage:TCONtrol EXPonential   REPeat .....	159
[[:SENSe]:TXPower:AVERage:TCONtrol? .....	159
[[:SENSe]:TXPower:BANDwidth   BWIDth[:RESolution] <freq> .....	160
[[:SENSe]:TXPower:BANDwidth   BWIDth[:RESolution]? .....	160
[[:SENSe]:TXPower:BANDwidth   BWIDth[:RESolution]:TYPE FLAT   GAUSSian .....	161
[[:SENSe]:TXPower:BANDwidth   BWIDth[:RESolution]:TYPE? .....	161
[[:SENSe]:TXPower:SWEep:TIME <integer> .....	161
[[:SENSe]:TXPower:SWEep:TIME? .....	161
[[:SENSe]:TXPower:THReshold <power> .....	162
[[:SENSe]:TXPower:THReshold? .....	162
[[:SENSe]:TXPower:THReshold:TYPE ABSolute   RELative .....	162
[[:SENSe]:TXPower:THReshold:TYPE? .....	162
[[:SENSe]:TXPower:TRIGger:SOURce EXTernal[1]   EXTernal2   IF   IMMEDIATE   RFBurst .....	163
[[:SENSe]:TXPower:TRIGger:SOURce? .....	163
[[:SENSe]:WAVeform:ADC:FILTer[:STATe] OFF   ON   0   1 .....	164
[[:SENSe]:WAVeform:ADC:FILTer[:STATe]? .....	164
[[:SENSe]:WAVeform:ADC:RANGe AUTO   APEak   APLock   GROund   M6   P0   P6   P12   P18   P24   .....	164
[[:SENSe]:WAVeform:ADC:RANGe? .....	164
[[:SENSe]:WAVeform:AVERage:COUNt <integer> .....	165
[[:SENSe]:WAVeform:AVERage:COUNt? .....	165
[[:SENSe]:WAVeform:AVERage[:STATe] OFF   ON   0   1 .....	165
[[:SENSe]:WAVeform:AVERage[:STATe]? .....	165
[[:SENSe]:WAVeform:AVERage:TCONtrol EXPonential   REPeat .....	165

---

## Commands

[:SENSe]:WAVeform:AVERage:TCONtrol? . . . . .	165
[:SENSe]:WAVeform:AVERage:TYPE LOG   MAXimum   MINimum   RMS   SCALar . . . . .	166
[:SENSe]:WAVeform:AVERage:TYPE? . . . . .	166
[:SENSe]:WAVeform:BANDwidth   BWIDth[:RESolution] <freq>. . . . .	166
[:SENSe]:WAVeform:BANDwidth   BWIDth[:RESolution]? . . . . .	166
[:SENSe]:WAVeform:BANDwidth   BWIDth[:RESolution]:TYPE FLATtop   GAUSSian . . . . .	167
[:SENSe]:WAVeform:BANDwidth   BWIDth[:RESolution]:TYPE? . . . . .	167
[:SENSe]:WAVeform:DECimate[:FACTor] <integer>. . . . .	167
[:SENSe]:WAVeform:DECimate[:FACTor]? . . . . .	167
[:SENSe]:WAVeform:DECimate:STATe OFF   ON   0   1 . . . . .	168
[:SENSe]:WAVeform:DECimate:STATe?. . . . .	168
[:SENSe]:WAVeform:SWEep:TIME <time> . . . . .	168
[:SENSe]:WAVeform:SWEep:TIME? . . . . .	168
[:SENSe]:WAVeform:TRIGger:SOURce EXTernal[1]   EXTernal2   FRAMe   IF   IMMEDIATE   LINE   RFBurst. . . . .	169
[:SENSe]:WAVeform:TRIGger:SOURce?. . . . .	169

---

# **1** **EDGE (with GSM) Programming Commands**

These commands are only available when the GSM mode has been selected using `INSTRument:SElect EDGEGSM`. If GSM mode is selected, commands that are unique to another mode are not available.

## **SCPI Command Subsystems**

“CALCulate Subsystem”

“CONFigure Subsystem”

“DISPlay Subsystem”

“FETCh Subsystem”

“MEASure Group of Commands”

“READ Subsystem”

“SENSe Subsystem”

## CALCulate Subsystem

This subsystem is used to perform post-acquisition data processing. In effect, the collection of new data triggers the CALCulate subsystem. In this instrument, the primary functions in this subsystem are markers and limits.

### Test Current Results Against all Limits

`:CALCulate:CLIMits:FAIL?`

Queries the status of the current measurement limit testing. It returns a 0 if the measured results pass when compared with the current limits. It returns a 1 if the measured results fail any limit tests.

### Data Query

`:CALCulate:DATA[n]?`

Returns the designated measurement data for the currently selected measurement and sub-opcode.

$n$  = any valid sub-opcode for the current measurement. See the [“MEASure Group of Commands”](#) for information on the data that can be returned for each measurement.

## Calculate/Compress Trace Data Query

```
:CALCulate:DATA[n]:COMPRESS?  
BLOCK|CFIT|MAXimum|MEAN|MINimum|RMS|SAMPLE|SDEVIation  
{,<soffset>}{,<length>}{,<roffset>}
```

Returns the designated trace data for the currently selected measurement. The command can be used with sub-opcodes (*n*) for measurement results that are trace data. See the following table.

This command is used to compress/decimate a long trace to extract the desired data and only return to the computer the necessary data. A typical example would be to acquire N bursts of GSM data and return the mean power of each burst.

The command can also be used to identify the best curve fit for the data.

**BLOCK** or block data - returns whole segments from the queried trace. For example, it could be used to return a portion of an input signal over several timeslots.

**CFIT** or curve fit - applies curve fitting routines to the data. Where *<soffset>* and *<length>* are required, and *<roffset>* is an optional parameter for the desired order of the curve equation. The query will return the following values: the x-offset (in points) and the curve coefficients ((order + 1) values).

*<Start offset>* - is an optional integer. It specifies the amount of data at the beginning of the trace that will be ignored before the decimation process starts. It is an integer index (that starts counting at zero) for all the elements in the trace. The default value is zero.

*<Length>* - is an optional integer. It defines how many trace elements will be compressed into one value. This parameter has a default value equal to the current trace length.

*<Repeat offset>* - is an optional real number. It defines the beginning of the next field of trace elements to be compressed. This is relative to the beginning of the previous field. This parameter has a default value equal to the *<length>* variable. Select a number such that repeated additions will round to the correct starting index.

**Example:** To query the mean power of a set of GSM bursts:

1. Set the waveform measurement sweep time to acquire the required number of bursts.
2. Set the triggers such that acquisition happens at a known position relative to a burst.
3. Then query the mean burst levels using,  
`CALC:DATA2:COMP? MEAN,62,1315,1442.3` (These parameter values correspond to GSM signals.)

**Remarks:** The optional parameters must be entered in the specified order. If you want to specify <length>, you must also specify <soffset> or its default. For example:

```
CALC:DATA2:COMP? MEAN,62,1315
```

```
CALC:DATA2:COMP? MEAN,DEFault,1315
```

This command uses the data setting specified by the FORMat:DATA command and can return binary or ascii data.

**History:** Added in revision A.03.00 and later

<b>Measurement</b>	<b>Available Traces</b>	<b>Markers Available?</b>
ACP - adjacent channel power (Basic, cdmaOne, cdma2000, W-CDMA (3GPP), W-CDMA (Trial & Arib), iDEN, NADC, PDC modes)	no traces	no markers
BER - bit error rate (iDEN mode)	no traces	no markers
CDPower - code domain power (cdmaOne mode)	POWer ( $n=2$ ) <sup>a</sup> TIMing ( $n=3$ ) <sup>a</sup> PHASe ( $n=4$ ) <sup>a</sup>	yes
CDPower - code domain power (cdma2000, W-CDMA (3GPP) modes)	CDPower ( $n=2$ ) <sup>a</sup> EVM ( $n=5$ ) <sup>a</sup> MERRor ( $n=6$ ) <sup>a</sup> PERRor ( $n=7$ ) <sup>a</sup> SPOWer ( $n=9$ ) <sup>a</sup> CPOWer ( $n=10$ ) <sup>a</sup>	yes
CDPower - code domain power (W-CDMA (Trial & Arib) mode)	CDPower ( $n=2$ ) <sup>a</sup> EVM ( $n=4$ ) <sup>a</sup> MERRor ( $n=5$ ) <sup>a</sup> PERRor ( $n=6$ ) <sup>a</sup> SPOWer ( $n=8$ ) <sup>a</sup>	yes
CHPower - channel power (Basic, cdmaOne, cdma2000, W-CDMA (3GPP), W-CDMA (Trial & Arib) modes)	SPECtrum ( $n=2$ ) <sup>a</sup>	no markers
CSPur - spurs close (cdmaOne mode)	SPECtrum ( $n=2$ ) <sup>a</sup> ULIMit ( $n=3$ ) <sup>a</sup>	yes
EEVM - EDGE error vector magnitude (EDGE mode)	EVMErroR ( $n=2$ ) <sup>a</sup> MERRor ( $n=3$ ) <sup>a</sup> PERRor ( $n=4$ ) <sup>a</sup>	yes



Measurement	Available Traces	Markers Available?
EORFspectr - EDGE output RF spectrum (EDGE mode)	RFEModulation ( $n=2$ ) <sup>a</sup> RFESwitching ( $n=3$ ) <sup>a</sup>	yes, only for a single offset
EPVTime - EDGE power versus time (EDGE mode)	RFENvelope ( $n=2$ ) <sup>a</sup> UMASk ( $n=3$ ) <sup>a</sup> LMASk ( $n=4$ ) <sup>a</sup>	yes
EVM - error vector magnitude (NADC, PDC modes)	EVM ( $n=2$ ) <sup>a</sup> MERRor ( $n=3$ ) <sup>a</sup> PERRor ( $n=4$ ) <sup>a</sup>	yes
EVMQpsk - QPSK error vector magnitude (cdma2000, W-CDMA (3GPP), W-CDMA (Trial & Arib) modes)	EVM ( $n=2$ ) <sup>a</sup> MERRor ( $n=3$ ) <sup>a</sup> PERRor ( $n=4$ ) <sup>a</sup>	yes
IM - intermodulation (cdma2000, W-CDMA (3GPP) modes)	SPECtrum ( $n=0$ ) <sup>a</sup>	yes
MCPower - multi-carrier power (W-CDMA (3GPP) mode)	no traces	no markers
OBW - occupied bandwidth (cdmaOne, cdma2000, iDEN, PDC, W-CDMA (3GPP) modes)	no traces	no markers
ORFSpectrum - output RF spectrum (GSM mode)	RFEModulation ( $n=2$ ) <sup>a</sup> RFESwitching ( $n=3$ ) <sup>a</sup>	yes, only for a single offset
PFERror - phase and frequency error (GSM mode)	PERRor ( $n=2$ ) <sup>a</sup> PFERror ( $n=3$ ) <sup>a</sup> RFENvelope ( $n=4$ ) <sup>a</sup>	yes
PStatistic - power statistics CCDF (Basic, cdma2000, W-CDMA (3GPP), W-CDMA (Trial & Arib) modes)	MEASured ( $n=2$ ) <sup>a</sup> GAUSian ( $n=3$ ) <sup>a</sup> REFerence ( $n=4$ ) <sup>a</sup>	yes

<b>Measurement</b>	<b>Available Traces</b>	<b>Markers Available?</b>
PVTime - power versus time (GSM, Service modes)	RFENvelope ( $n=2$ ) <sup>a</sup> UMASK ( $n=3$ ) <sup>a</sup> LMASK ( $n=4$ ) <sup>a</sup>	yes
RHO - modulation quality (cdmaOne, cdma2000, W-CDMA (3GPP), W-CDMA (Trial & Arib) mode)	EVM ( $n=2$ ) <sup>a</sup> MERRor ( $n=3$ ) <sup>a</sup> PERRor ( $n=4$ ) <sup>a</sup>	yes
SEMask - spectrum emissions mask (cdma2000, W-CDMA (3GPP) mode)	SPECTrum ( $n=0$ ) <sup>a</sup>	yes
TSPur - transmit band spurs (GSM mode)	SPECTrum ( $n=2$ ) <sup>a</sup> ULIMit ( $n=3$ ) <sup>a</sup>	yes
TXPower - transmit power (GSM mode)	RFENvelope ( $n=2$ ) <sup>a</sup> IQ ( $n=8$ ) <sup>a</sup>	yes
SPECTrum - (frequency domain) (all modes)	RFENvelope ( $n=2$ ) <sup>a</sup> for Service mode IQ ( $n=3$ ) <sup>a</sup> SPECTrum ( $n=4$ ) <sup>a</sup> ASPECTrum ( $n=7$ ) <sup>a</sup>	yes
WAVEform - (time domain) (all modes)	RFENvelope ( $n=2$ ) <sup>a</sup> IQ ( $n=8$ ) <sup>a</sup>	yes

a. The  $n$  number indicates the sub-opcode that corresponds to this trace. Detailed descriptions of the trace data can be found in the MEASure subsystem documentation by looking up the sub-opcode for the appropriate measurement.

## Calculate Peaks of Trace Data

```
:CALCulate:DATA[n]:PEAKs?  

<threshold>,<excursion>[ ,AMPLitude|FREQUency|TIME]
```

Returns a list of peaks for the designated trace data  $n$  for the currently selected measurement. The peaks must meet the requirements of the peak threshold and excursion values.

The command can be used with sub-opcodes (*n*) for any measurement results that are trace data. See the table above. Subopcode *n=0*, raw trace data cannot be searched for peaks. Both real and complex traces can be searched, but complex traces are converted to magnitude in dBm.

**Threshold** - is the level below which trace data peaks are ignored

**Excursion** - To be defined as a peak, the signal must rise above the threshold by a minimum amplitude change. Excursion is measured from the lowest point above the threshold (of the rising edge of the peak), to the highest signal point that begins the falling edge.

**Amplitude** - lists the peaks in order of descending amplitude, so the highest peak is listed first. This is the default peak order listing if the optional parameter is not specified.

**Frequency** - lists the peaks in order of occurrence, left to right across the x-axis

**Time** - lists the peaks in order of occurrence, left to right across the x-axis

**Example:** Select the spectrum measurement.

Use `CALC:DATA4:PEAK? -40,10,FREQ` to identify the peaks above -40 dBm, with excursions of at least 10 dB, in order of increasing frequency.

**Query Results:** Returns a list of floating-point numbers. The first value in the list is the number of peak points that follow. A peak point consists of two values: a peak amplitude followed by the its corresponding frequency (or time).

If no peaks are found the peak list will consist of only the number of peaks, (0).

The peak list is limited to 100 peaks. Peaks in excess of 100 are ignored.

**Remarks:** This command uses the data setting specified by the `FORMat:DATA` command and can return real 32-bit, real 64-bit, or ASCII data. The default data format is ASCII.

**History:** Added in revision A.03.00 and later

## **CALCulate:MARKers Subsystem**

Markers can be put on your displayed measurement data to supply information about specific points on the data. Some of the things that markers can be used to measure include: precise frequency at a point, minimum or maximum amplitude, and the difference in amplitude or frequency between two points.

When using the marker commands you must specify the measurement in the SCPI command. We recommend that you use the marker commands only on the current measurement. Many marker commands will return invalid results, when used on a measurement that is not current. (This is true for commands that do more than simply setting or querying an instrument parameter.) No error is reported for these invalid results.

You must make sure that the measurement is completed before trying to query the marker value. Using the MEASure or READ command, before the marker command, forces the measurement to complete before allowing the next command to be executed.

Each measurement has its own instrument state for marker parameters. Therefore, if you exit the measurement, the marker settings in each measurement are saved and are then recalled when you change back to that measurement.

### **Basic Mode - <measurement> key words**

- ACPr - no markers
- CHPower - no markers
- PSTATistic - markers available
- SPECtrum - markers available
- WAVeform - markers available

### **Service Mode - <measurement> key words**

- PVTime - no markers
- SPECtrum - markers available
- WAVeform - markers available

### **cdmaOne Mode - <measurement> key words**

- ACPr - no markers
- CHPower - no markers
- CDPower - markers available
- CSPur - markers available
- RHO - markers available
- SPECtrum - markers available
- WAVeform - markers available

**cdma2000 Mode - <measurement> key words**

- ACP - no markers
- CDPower - markers available
- CHPower - no markers
- EVMQpsk - markers available
- IM - markers available
- OBW - no markers
- PSTatistic - markers available
- RHO - markers available
- SEMask - markers available
- SPECTrum - markers available
- WAVeform - markers available

**EDGE (with GSM) Mode - <measurement> key words**

- EEVM - markers available
- EORFspectr - markers available
- EPVTime - no markers
- ORFSpectrum - markers available
- PFERror - markers available
- PVTime - no markers
- SPECTrum - markers available
- TSPur - markers available
- TXPower - no markers
- WAVeform - markers available

**GSM Mode - <measurement> key words**

- ORFSpectrum - markers available
- PFERror - markers available
- PVTime - no markers
- SPECTrum - markers available
- TSPur - markers available
- TXPower - no markers
- WAVeform - markers available

**iDEN Mode - <measurement> key words**

- ACP - no markers
- BER - no markers
- OBW - no markers
- SPECTrum - markers available
- WAVeform - markers available

**NADC Mode - <measurement> key words**

- ACP - no markers
- EVM - markers available
- SPECTrum - markers available
- WAVeform - markers available

**PDC Mode - <measurement> key words**

- ACP - no markers
- EVM - markers available
- OBW - no markers
- SPECTrum - markers available
- WAVeform - markers available

**W-CDMA (3GPP) Mode - <measurement> key words**

- ACP - no markers
- CDPower - markers available
- CHPower - no markers
- EVMQpsk - markers available
- IM - markers available
- MCPower - no markers
- OBW - no markers
- PStatistic - markers available
- RHO - markers available
- SEMask - markers available
- SPECTrum - markers available
- WAVeform - markers available

**W-CDMA (Trial & Arib) Mode - <measurement> key words**

- ACP - no markers
- CDPower - markers available
- CHPower - no markers
- EVMQpsk - markers available
- PStatistic - markers available
- RHO - markers available
- SPECTrum - markers available
- WAVeform - markers available

**Example:**

Suppose you are using the Spectrum measurement. To position marker 2 at the maximum peak value of the trace that marker 2 is currently on, the command is:

```
:CALCulate:SPECTrum:MARKer2:MAXimum
```

You must make sure that the measurement is completed before trying to query the marker value. Use the MEASure or READ command before using the marker command. This forces the measurement to complete before allowing the next command to be executed.

## Markers All Off on All Traces

**:CALCulate:<measurement>:MARKer:AOff**

Turns off all markers on all the traces in the specified measurement.

Example:       **CALC:SPEC:MARK:AOff**

Remarks:       The keyword for the current measurement must be specified in the command. (Some examples include: SPECTrum, WAVeform)

Front Panel

Access:         **Marker, More, Marker All Off**

## Marker Function

**:CALCulate:<measurement>:MARKer[1] | 2 | 3 | 4:FUNCTION  
BPOWer | NOISe | OFF**

**:CALCulate:<measurement>:MARKer[1] | 2 | 3 | 4:FUNCTION?**

Selects the type of marker for the specified marker. A particular measurement may not have all the types of markers that are commonly available.

The marker must have already been assigned to a trace. Use

**:CALCulate:<measurement>:MARKer[1] | 2 | 3 | 4:TRACe** to assign a marker to a particular trace.

Band Power – is the integrated power between the two markers for traces in the frequency domain and is the mean power between the two markers for traces in the time domain.

Noise – is the noise power spectral density in a 1 Hz bandwidth. It is averaged over 32 horizontal trace points.

Off – turns off the marker functions

Example:       **CALC:SPEC:MARK3:FUNC Noise**

Remarks:       The keyword for the current measurement must be specified in the command. (Some examples include: SPECTrum, WAVeform)

Front Panel

Access:         **Marker, Marker Function**

## Marker Function Result

`:CALCulate:<measurement>:MARKer[1]|2|3|4:FUNCTION:RESult?`

Requires the result of the currently active marker function. The measurement must be completed before querying the marker. A particular measurement may not have all the types of markers available.

The marker must have already been assigned to a trace. Use `:CALCulate:<measurement>:MARKer[1]|2|3|4:TRACe` to assign a marker to a particular trace.

Example: `CALC:SPEC:MARK:FUNC:RES?`

Remarks: The keyword for the current measurement must be specified in the command. (Some examples include: SPECTrum, WAVeform)

Front Panel

Access: **Marker, Marker Function**

## Marker Peak (Maximum) Search

`:CALCulate:<measurement>:MARKer[1]|2|3|4:MAXimum`

Places the selected marker on the highest point on the trace that is assigned to that particular marker number.

The marker must have already been assigned to a trace. Use `:CALCulate:<measurement>:MARKer[1]|2|3|4:TRACe` to assign a marker to a particular trace.

Example: `CALC:SPEC:MARK1:MAX`

Remarks: The keyword for the current measurement must be specified in the command. (Some examples include: SPECTrum, WAVeform)

Front Panel

Access: **Search**



## Marker Peak (Minimum) Search

**:CALCulate:<measurement>:MARKer[1] | 2 | 3 | 4:MINimum**

Places the selected marker on the lowest point on the trace that is assigned to that particular marker number.

The marker must have already been assigned to a trace. Use **:CALCulate:<measurement>:MARKer[1] | 2 | 3 | 4:TRACe** to assign a marker to a particular trace.

Example:       **CALC:SPEC:MARK2:MIN**

Remarks:       The keyword for the current measurement must be specified in the command. (Some examples include: SPECTrum, WAVeform)

## Marker Mode

**:CALCulate:<measurement>:MARKer[1] | 2 | 3 | 4:MODE  
POSITION|DELTA**

**:CALCulate:<measurement>:MARKer[1] | 2 | 3 | 4:MODE?**

Selects the type of marker to be a normal position-type marker or a delta marker. A specific measurement may not have both types of markers. For example, several measurements only have position markers.

The marker must have already been assigned to a trace. Use **:CALCulate:<measurement>:MARKer[1] | 2 | 3 | 4:TRACe** to assign a marker to a particular trace.

Example:       **CALC:SPEC:MARK:MODE DELTA**

Remarks:       For the delta mode only markers 1 and 2 are valid.  
  
The keyword for the current measurement must be specified in the command. (Some examples include: SPECTrum, WAVeform)

Front Panel

Access:       **Marker, Marker [Delta]**

### Marker On/Off

```
:CALCulate:<measurement>:MARKer[1]|2|3|4[:STATe] OFF|ON|0|1
```

```
:CALCulate:<measurement>:MARKer[1]|2|3|4[:STATe]?
```

Turns the selected marker on or off.

The marker must have already been assigned to a trace. Use

:CALCulate:<measurement>:MARKer[1]|2|3|4:TRACe to assign a marker to a particular trace.

Example:        **CALC:SPEC:MARK2: on**

Remarks:        The keyword for the current measurement must be specified in the command. (Some examples include: SPECTrum, AREFERENCE, WAVeform)

The WAVeform measurement only has two markers available.

Front Panel

Access:        **Marker, Select then Marker Normal or Marker On Off**

### Marker to Trace

```
:CALCulate:<measurement>:MARKer[1]|2|3|4:TRACe <trace_name>
```

```
:CALCulate:<measurement>:MARKer[1]|2|3|4:TRACe?
```

Assigns the specified marker to the designated trace. Not all types of measurement data can have markers assigned to them.

Example:        With the WAVeform measurement selected, a valid command is **CALC:SPEC:MARK2:TRACE rfenvelope**.

Range:        The names of valid traces are dependent upon the selected measurement. See the following table for the available trace names. The trace name assignment is independent of the marker number.

Remarks:        The keyword for the current measurement must be specified in the command. (Some examples include: SPECTrum, WAVeform)

Front Panel

Access:        **Marker, Marker Trace**

Measurement	Available Traces	Markers Available?
ACP - adjacent channel power (Basic, cdmaOne, cdma2000, W-CDMA (3GPP), W-CDMA (Trial & Arib), iDEN, NADC, PDC modes)	no traces	no markers
BER - bit error rate (iDEN mode)	no traces	no markers
CDPower - code domain power (cdmaOne mode)	POWer ( $n=2$ ) <sup>a</sup> TIMing ( $n=3$ ) <sup>a</sup> PHASe ( $n=4$ ) <sup>a</sup>	yes
CDPower - code domain power (cdma2000, W-CDMA (3GPP) modes)	CDPower ( $n=2$ ) <sup>a</sup> EVM ( $n=5$ ) <sup>a</sup> MERRor ( $n=6$ ) <sup>a</sup> PERRor ( $n=7$ ) <sup>a</sup> SPOWer ( $n=9$ ) <sup>a</sup> CPOWer ( $n=10$ ) <sup>a</sup>	yes
CDPower - code domain power (W-CDMA (Trial & Arib) mode)	CDPower ( $n=2$ ) <sup>a</sup> EVM ( $n=4$ ) <sup>a</sup> MERRor ( $n=5$ ) <sup>a</sup> PERRor ( $n=6$ ) <sup>a</sup> SPOWer ( $n=8$ ) <sup>a</sup>	yes
CHPower - channel power (Basic, cdmaOne, cdma2000, W-CDMA (3GPP), W-CDMA (Trial & Arib) modes)	SPECtrum ( $n=2$ ) <sup>a</sup>	no markers
CSPur - spurs close (cdmaOne mode)	SPECtrum ( $n=2$ ) <sup>a</sup> ULIMit ( $n=3$ ) <sup>a</sup>	yes
EEVM - EDGE error vector magnitude (EDGE mode)	EVMErroR ( $n=2$ ) <sup>a</sup> MERRor ( $n=3$ ) <sup>a</sup> PERRor ( $n=4$ ) <sup>a</sup>	yes

<b>Measurement</b>	<b>Available Traces</b>	<b>Markers Available?</b>
EORFspectr - EDGE output RF spectrum (EDGE mode)	RFEModulation (n=2) <sup>a</sup> RFESwitching (n=3) <sup>a</sup>	yes, only for a single offset
EPVTime - EDGE power versus time (EDGE mode)	RFENvelope (n=2) <sup>a</sup> UMASK (n=3) <sup>a</sup> LMASK (n=4) <sup>a</sup>	yes
EVM - error vector magnitude (NADC, PDC modes)	EVM (n=2) <sup>a</sup> MERRor (n=3) <sup>a</sup> PERRor (n=4) <sup>a</sup>	yes
EVMQpsk - QPSK error vector magnitude (cdma2000, W-CDMA (3GPP), W-CDMA (Trial & Arib) modes)	EVM (n=2) <sup>a</sup> MERRor (n=3) <sup>a</sup> PERRor (n=4) <sup>a</sup>	yes
IM - intermodulation (cdma2000, W-CDMA (3GPP) modes)	SPECtrum (n=0) <sup>a</sup>	yes
MCPower - multi-carrier power (W-CDMA (3GPP) mode)	no traces	no markers
OBW - occupied bandwidth (cdmaOne, cdma2000, iDEN, PDC, W-CDMA (3GPP) modes)	no traces	no markers
ORFSpectrum - output RF spectrum (GSM mode)	RFEModulation (n=2) <sup>a</sup> RFESwitching (n=3) <sup>a</sup>	yes, only for a single offset
PFERror - phase and frequency error (GSM mode)	PERRor (n=2) <sup>a</sup> PFERror (n=3) <sup>a</sup> RFENvelope (n=4) <sup>a</sup>	yes
PStatistic - power statistics CCDF (Basic, cdma2000, W-CDMA (3GPP), W-CDMA (Trial & Arib) modes)	MEASured (n=2) <sup>a</sup> GAUSian (n=3) <sup>a</sup> REFerence (n=4) <sup>a</sup>	yes

Measurement	Available Traces	Markers Available?
PVTime - power versus time (GSM, Service modes)	RFENvelope ( $n=2$ ) <sup>a</sup> UMASk ( $n=3$ ) <sup>a</sup> LMASk ( $n=4$ ) <sup>a</sup>	yes
RHO - modulation quality (cdmaOne, cdma2000, W-CDMA (3GPP), W-CDMA (Trial & Arib) modes)	EVM ( $n=2$ ) <sup>a</sup> MERRor ( $n=3$ ) <sup>a</sup> PERRor ( $n=4$ ) <sup>a</sup>	yes
SEMask - spectrum emissions mask (cdma2000, W-CDMA (3GPP) mode)	SPECtrum ( $n=0$ ) <sup>a</sup>	yes
TSPur - transmit band spurs (GSM mode)	SPECtrum ( $n=2$ ) <sup>a</sup> ULIMit ( $n=3$ ) <sup>a</sup>	yes
TXPower - transmit power (GSM mode)	RFENvelope ( $n=2$ ) <sup>a</sup> IQ ( $n=8$ ) <sup>a</sup>	yes
SPECtrum - (frequency domain) (all modes)	RFENvelope ( $n=2$ ) <sup>a</sup> for Service mode IQ ( $n=3$ ) <sup>a</sup> SPECtrum ( $n=4$ ) <sup>a</sup> ASpectrum ( $n=7$ ) <sup>a</sup>	yes
WAVEform - (time domain) (all modes)	RFENvelope ( $n=2$ ) <sup>a</sup> IQ ( $n=8$ ) <sup>a</sup>	yes

a. The  $n$  number indicates the sub-opcode that corresponds to this trace. Detailed descriptions of the trace data can be found in the MEASure subsystem documentation by looking up the sub-opcode for the appropriate measurement.

## Marker X Value

```
:CALCulate:<measurement>:MARKer[1]|2|3|4:X <param>
```

```
:CALCulate:<measurement>:MARKer[1]|2|3|4:X?
```

Position the designated marker on its assigned trace at the specified X value. The parameter value is in X-axis units (which is often frequency or time).

The marker must have already been assigned to a trace. Use

```
:CALCulate:<measurement>:MARKer[1]|2|3|4:TRACe
```

 to assign a marker to a particular trace.

The query returns the current X value of the designated marker. The measurement must be completed before querying the marker.

Example:        `CALC:SPEC:MARK2:X 1.2e6 Hz`

Default Unit:    Matches the units of the trace on which the marker is positioned

Remarks:        The keyword for the current measurement must be specified in the command. (Some examples include: SPECTrum, WAVeform)

Front Panel

Access:         **Marker, <active marker>, RPG**

## Marker X Position

```
:CALCulate:<measurement>:MARKer[1]|2|3|4:X:POSition  
<integer>
```

```
:CALCulate:<measurement>:MARKer[1]|2|3|4:X:POSition?
```

Position the designated marker on its assigned trace at the specified X position. A trace is composed of a variable number of measurement points. This number changes depending on the current measurement conditions. The current number of points must be identified before using this command to place the marker at a specific location.

The marker must have already been assigned to a trace. Use

```
:CALCulate:<measurement>:MARKer[1]|2|3|4:TRACe
```

 to assign a marker to a particular trace.

The query returns the current X position for the designated marker. The measurement must be completed before querying the marker.

**Example:**            **CALC:SPEC:MARK:X:POS 500**

**Range:**            0 to a maximum of (3 to 920,000)

**Remarks:**        The keyword for the current measurement must be specified in the command. (Some examples include: SPECTrum, WAVeform)

**Front Panel**

**Access:**           **Marker, <active marker>, RPG**

### **Marker Readout Y Value**

**:CALCulate:<measurement>:MARKer[1]|2|3|4:Y?**

Readout the current Y value for the designated marker on its assigned trace. The value is in the Y-axis units for the trace (which is often dBm).

The marker must have already been assigned to a trace. Use **:CALCulate:<measurement>:MARKer[1]|2|3|4:TRACe** to assign a marker to a particular trace.

The measurement must be completed before querying the marker.

**Example:**            **CALC:SPEC:MARK1:Y?**

**Default Unit:**    Matches the units of the trace on which the marker is positioned

**Remarks:**        The keyword for the current measurement must be specified in the command. (Some examples include: SPECTrum, WAVeform)

## Transmit Band Spurs—Type of Limit Testing

```
:CALCulate:TSPur:LIMit:TEST ABSolute|RELative
```

```
:CALCulate:TSPur:LIMit:TEST?
```

Select the limit testing to be done using either absolute or relative power limits.

Factory Preset  
and \*RST: Absolute

Remarks: You must be in the GSM, EDGE (w/GSM) mode to use this command. Use INSTRument:SElect to set the mode.

History: Version A.03.00 or later

Front Panel  
Access: Meas Setup, Limit

## Transmit Band Spurs—Define Limits

```
:CALCulate:TSPur:LIMit[:UPPer][[:DATA] <power>
```

```
:CALCulate:TSPur:LIMit[:UPPer][[:DATA]?
```

Set the value for the test limit. This command does not accept units. Use CALCulate:TSPur:LIMit:TEST to select the units dBm (absolute) or dB (relative).

Factory Preset  
and \*RST: -36

Range: -200 to 100

Remarks: You must be in the GSM, EDGE (w/GSM) mode to use this command. Use INSTRument:SElect to set the mode.

History: Version A.03.00 or later

Front Panel  
Access: Meas Setup, Limit



## CONFigure Subsystem

The CONFigure commands are used with several other commands to control the measurement process. These commands are described in the section on the “[MEASure Group of Commands](#)” .

### Configure the Selected Measurement

`:CONFigure:<measurement>`

A CONFigure command must specify the desired measurement. It will set the instrument settings for that measurements standard defaults, but will not initiate the taking of data. The available measurements are described in the MEASure subsystem.

### Configure Query

`:CONFigure?`

The CONFigure query returns the name of the current measurement.

## DISPlay Subsystem

The DISPlay controls the selection and presentation of textual, graphical, and TRACe information. Within a DISPlay, information may be separated into individual WINDows.

### Spectrum - Y-Axis Reference Level

```
:DISPlay:SPECTrum[n]:WINDow[m]:TRACe:Y[:SCALE]:RLEVel  
<power>
```

```
:DISPlay:SPECTrum[n]:WINDow[m]:TRACe:Y[:SCALE]:RLEVel?
```

Sets the amplitude reference level for the y-axis.

n – selects the view, the default is Spectrum.

— n=1, Spectrum

— n=2, I/Q Waveform

— n=3, numeric data (service mode)

— n=4, RF Envelope (service mode)

m – selects the window within the view. The default is 1.

Factory Preset

and \*RST: 0 dBm, for Spectrum

Range: –250 to 250 dBm, for Spectrum

Default Unit: dBm, for Spectrum

Remarks: May affect input attenuator setting.

To use this command, the appropriate mode should be selected with INSTRument:SElect.

Front Panel

Access: When in Spectrum measurement: **Amplitude Y Scale, Ref Level**

## Turn a Trace Display On/Off

`:DISPlay:TRACe[n][:STATe] OFF|ON|0|1`

`:DISPlay:TRACe[n][:STATe]?`

Controls whether the specified trace is visible or not.

*n* is a sub-opcode that is valid for the current measurement. See the “[MEASure Group of Commands](#)” for more information about sub-opcodes.

Factory Preset  
 and \*RST: On

Range: The valid traces and their sub-opcodes are dependent upon the selected measurement. See the following table.

The trace name assignment is independent of the window number.

Remarks: To use this command, the appropriate mode should be selected with INSTRument:SElect.

Front Panel  
 Access: Display, Display Traces

Measurement	Available Traces	Markers Available?
ACP - adjacent channel power (Basic, cdmaOne, cdma2000, W-CDMA (3GPP), W-CDMA (Trial & Arib), iDEN, NADC, PDC modes)	no traces	no markers
BER - bit error rate (iDEN mode)	no traces	no markers
CDPower - code domain power (cdmaOne mode)	POWer ( <i>n</i> =2) <sup>a</sup> TIMing ( <i>n</i> =3) <sup>a</sup> PHASe ( <i>n</i> =4) <sup>a</sup>	yes
CDPower - code domain power (cdma2000, W-CDMA (3GPP) modes)	CDPower ( <i>n</i> =2) <sup>a</sup> EVM ( <i>n</i> =5) <sup>a</sup> MERRor ( <i>n</i> =6) <sup>a</sup> PERRor ( <i>n</i> =7) <sup>a</sup> SPOWer ( <i>n</i> =9) <sup>a</sup> CPOWer ( <i>n</i> =10) <sup>a</sup>	yes

Measurement	Available Traces	Markers Available?
CDPower - code domain power (W-CDMA (Trial & Arib) mode)	CDPower ( $n=2$ ) <sup>a</sup> EVM ( $n=4$ ) <sup>a</sup> MERRor ( $n=5$ ) <sup>a</sup> PERRor ( $n=6$ ) <sup>a</sup> SPOWer ( $n=8$ ) <sup>a</sup>	yes
CHPower - channel power (Basic, cdmaOne, cdma2000, W-CDMA (3GPP), W-CDMA (Trial & Arib) modes)	SPECTrum ( $n=2$ ) <sup>a</sup>	no markers
CSPur - spurs close (cdmaOne mode)	SPECTrum ( $n=2$ ) <sup>a</sup> ULIMit ( $n=3$ ) <sup>a</sup>	yes
EEVM - EDGE error vector magnitude (EDGE mode)	EVMError ( $n=2$ ) <sup>a</sup> MERRor ( $n=3$ ) <sup>a</sup> PERRor ( $n=4$ ) <sup>a</sup>	yes
EORFspectr - EDGE output RF spectrum (EDGE mode)	RFEModulation ( $n=2$ ) <sup>a</sup> RFESwitching ( $n=3$ ) <sup>a</sup>	yes, only for a single offset
EPVTime - EDGE power versus time (EDGE mode)	RFENvelope ( $n=2$ ) <sup>a</sup> UMASK ( $n=3$ ) <sup>a</sup> LMASK ( $n=4$ ) <sup>a</sup>	yes
EVM - error vector magnitude (NADC, PDC modes)	EVM ( $n=2$ ) <sup>a</sup> MERRor ( $n=3$ ) <sup>a</sup> PERRor ( $n=4$ ) <sup>a</sup>	yes
EVMQpsk - QPSK error vector magnitude (cdma2000, W-CDMA (3GPP), W-CDMA (Trial & Arib) modes)	EVM ( $n=2$ ) <sup>a</sup> MERRor ( $n=3$ ) <sup>a</sup> PERRor ( $n=4$ ) <sup>a</sup>	yes
IM - intermodulation (cdma2000, W-CDMA (3GPP) modes)	SPECTrum ( $n=0$ ) <sup>a</sup>	yes

Measurement	Available Traces	Markers Available?
MCPower - multi-carrier power (W-CDMA (3GPP) mode)	no traces	no markers
OBW - occupied bandwidth (cdmaOne, cdma2000, iDEN, PDC, W-CDMA (3GPP) modes)	no traces	no markers
ORFSpectrum - output RF spectrum (GSM mode)	RFEModulation ( $n=2$ ) <sup>a</sup> RFESwitching ( $n=3$ ) <sup>a</sup>	yes, only for a single offset
PFERror - phase and frequency error (GSM mode)	PERRor ( $n=2$ ) <sup>a</sup> PFERror ( $n=3$ ) <sup>a</sup> RFENvelope ( $n=4$ ) <sup>a</sup>	yes
PStatistic - power statistics CCDF (Basic, cdma2000, W-CDMA (3GPP), W-CDMA (Trial & Arib) modes)	MEASured ( $n=2$ ) <sup>a</sup> GAUSian ( $n=3$ ) <sup>a</sup> REFerence ( $n=4$ ) <sup>a</sup>	yes
PVTime - power versus time (GSM, Service modes)	RFENvelope ( $n=2$ ) <sup>a</sup> UMASk ( $n=3$ ) <sup>a</sup> LMASk ( $n=4$ ) <sup>a</sup>	yes
RHO - modulation quality (cdmaOne, cdma2000, W-CDMA (3GPP), W-CDMA (Trial & Arib) modes)	EVM ( $n=2$ ) <sup>a</sup> MERRor ( $n=3$ ) <sup>a</sup> PERRor ( $n=4$ ) <sup>a</sup>	yes
SEMask - spectrum emissions mask (cdma2000, W-CDMA (3GPP) modes)	SPECtrum ( $n=0$ ) <sup>a</sup>	yes
TSPur - transmit band spurs (GSM mode)	SPECtrum ( $n=2$ ) <sup>a</sup> ULIMit ( $n=3$ ) <sup>a</sup>	yes
TXPower - transmit power (GSM mode)	RFENvelope ( $n=2$ ) <sup>a</sup> IQ ( $n=8$ ) <sup>a</sup>	yes

Measurement	Available Traces	Markers Available?
SPECTrum - (frequency domain) (all modes)	RFENvelope ( $n=2$ ) <sup>a</sup> for Service mode  IQ ( $n=3$ ) <sup>a</sup>  SPECTrum ( $n=4$ ) <sup>a</sup>  ASPectrum ( $n=7$ ) <sup>a</sup>	yes
WAVEform - (time domain) (all modes)	RFENvelope ( $n=2$ ) <sup>a</sup>  IQ ( $n=8$ ) <sup>a</sup>	yes

a. The  $n$  number indicates the sub-opcode that corresponds to this trace. Detailed descriptions of the trace data can be found in the MEASure subsystem documentation by looking up the sub-opcode for the appropriate measurement.

## Waveform - Y-Axis Reference Level

`:DISPlay:WAVEform[n]:WINDow[m]:TRACe:Y[:SCALE]:RLEVel`  
`<power>`

`:DISPlay:WAVEform[n]:WINDow[m]:TRACe:Y[:SCALE]:RLEVel?`

Sets the amplitude reference level for the y-axis.

$n$ , selects the view, the default is RF envelope.

$n=1$ , RF envelope

$n=2$ , I/Q waveform

$m$ , selects the window within the view. The default is 1.

Factory Preset

and \*RST: 0 dBm, for RF envelope

Range: -250 to 250 dBm, for RF envelope

Default Unit: dBm, for RF envelope

Remarks: May affect input attenuator setting.

To use this command, the appropriate mode should be selected with INSTRument:SElect.

Front Panel

Access: When in Waveform measurement: **Amplitude Y Scale, Ref Level**

## **FETCh Subsystem**

The FETCh? commands are used with several other commands to control the measurement process. These commands are described in the section on the “[MEASure Group of Commands](#)” .

### **Fetch the Current Measurement Results**

**:FETCh:<measurement>[n]?**

A FETCh? command must specify the desired measurement. It will return the valid results that are currently available, but will not initiate the taking of any new data. You can only fetch results from the measurement that is currently selected. The code number n selects the kind of results that will be returned. The available measurements and data results are described in the “[MEASure Group of Commands](#)” .

## MEASure Group of Commands

This group includes commands used to make measurements and return results. The different commands can be used to provide fine control of the overall measurement process. Most measurements should be done in single measurement mode, rather than doing the measurement continuously.

Each measurement sets the instrument state that is appropriate for that measurement. Other commands are available for each **Mode** to allow changing settings, view, limits, etc. Refer to:

SENSE:<measurement>, SENSE:CHANnel, SENSE:CORRection,  
SENSE:FREQuency, SENSE:POWEr, SENSE:RADio, SENSE:SNYC  
CALCulate:<measurement>, CALCulate:CLIMits/DATA  
DISPlay:<measurement>  
TRIGger

### Measure Commands

**:MEASure : <measurement> [n] ?**

This is a fast single-command way to make a measurement using the factory default instrument settings. These are the settings and units that conform to the Standard.

- Stops the current measurement and sets up the instrument for the specified measurement using the factory defaults
- Initiates the data acquisition for the measurement
- Blocks other SCPI communication, waiting until the measurement is complete before returning results.
- After the data is valid it returns the scalar results, or the trace data, for the specified measurement.

If the optional [n] value is not included, or is set to 1, the scalar measurement results will be returned. If the [n] value is set to a value other than 1, the selected trace data results will be returned. See each command for details of what types of scalar results or trace data results are available. The binary data formats should be used for handling large blocks of data since they are smaller and faster than the ASCII format.

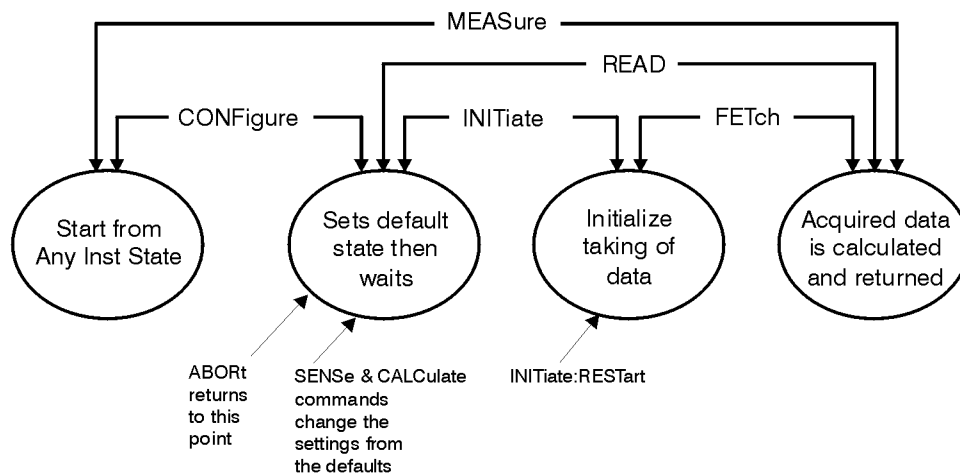


If you need to change some of the measurement parameters from the factory default settings you can set up the measurement with the **CONFIgure** command. Use the commands in the **SENSE:<measurement>** and **CALCulate:<measurement>** subsystems to change the settings. Then you can use the **READ?** command, or the **INITiate** and **FETCh?** commands, to initiate the measurement and query the results. See [Figure 1-1](#).

If you need to repeatedly make a given measurement with settings other than the factory defaults, you can use the commands in the **SENSE:<measurement>** and **CALCulate:<measurement>** subsystems to set up the measurement. Then use the **READ?** command or **INITiate** and **FETCh?** commands, to initiate the measurement and query results.

Measurement settings persist if you initiate a different measurement and then return to a previous one. Use **READ:<measurement>?** if you want to use those persistent settings. If you want to go back to the default settings, use **MEASure:<measurement>?**.

**Figure 1-1 Measurement Group of Commands**



## Configure Commands

**:CONFIgure:<measurement>**

This command stops the current measurement and sets up the instrument for the specified measurement using the factory default instrument settings. It does not initiate the taking of measurement data.

The **CONFIgure?** query returns the current measurement name.

## Fetch Commands

**:FETCh:**<measurement>[n]?

This command puts valid data into the output buffer, but does not initiate data acquisition. Use the INITiate[:IMMEDIATE] command to acquire data before you use the FETCh command. You can only fetch results from the measurement that is currently selected.

If the optional [n] value is not included, or is set to 1, the scalar measurement results will be returned. If the [n] value is set to a value other than 1, the selected trace data results will be returned. See each command for details of what types of scalar results or trace data results are available. The binary data formats should be used for handling large blocks of data since they are smaller and faster than the ASCII format.

## Read Commands

**:READ:**<measurement>[n]?

- Does not preset the measurement to the factory defaults. (The MEASure? and CONFigure? commands reset the parameters to the default values.) It uses the settings from the last measurement.
- Initiates the measurement and puts valid data into the output buffer. If a measurement other than the current one is specified, the instrument will switch to that measurement before it initiates the measurement and returns results.
- Blocks other SCPI communication, waiting until the measurement is complete before returning the results

If the optional [n] value is not included, or is set to 1, the scalar measurement results will be returned. If the [n] value is set to a value other than 1, the selected trace data results will be returned. See each command for details of what types of scalar results or trace data results are available. The binary data formats should be used when handling large blocks of data since they are smaller and faster than the ASCII format.

Measurement settings persist if you initiate a different measurement and then return to a previous one. Use READ:<measurement>? if you want to use those persistent settings. If you want to go back to the default settings, use MEASure:<measurement>?.

## EDGE Error Vector Magnitude Measurement

This measures the vector error of the magnitude of each symbol. You must be in the EDGE(w/GSM) mode to use these commands. Use INSTRument:SElect to set the mode.

The general functionality of CONFigure, FETCh, MEASure, and READ are described at the beginning of this section. See the SENSE:EEVM commands for more measurement related commands.

**:CONFigure:EEVM**

**:FETCh:EEVM[n]?**

**:READ:EEVM[n]?**

**:MEASure:EEVM[n]?**

History: Version A.04.00 or later

Front Panel

Access: **Measure, EDGE EVM**

After the measurement is selected, press **Restore Meas Defaults** to restore factory defaults.

### Measurement Results Available

n	Results Returned
0	Returns unprocessed I/Q trace data, as a data array of comma-separated trace points, in volts.

<b>n</b>	<b>Results Returned</b>
1 (default)	<p>Returns the following 8 comma-separated scalar results, in order.</p> <ol style="list-style-type: none"> <li>1. RMS 95th %tile EVM – a floating point number (in percent) of EVM over 95% of the entire measurement area.</li> <li>2. RMS EVM – a floating point number (in percent) of EVM over the entire measurement area.</li> <li>3. Maximum RMS EVM – a floating point number (in percent) of highest EVM over the entire measurement area.</li> <li>4. Peak EVM – a floating point number (in percent) of the average of the peak EVMs. Take the peak EVMs from each burst and average them together.</li> <li>5. Maximum peak EVM – a floating point number (in percent) of the maximum peak EVM. Take the peak EVMs from each burst and identify the highest peak.</li> <li>6. Symbol position of the peak EVM error – an integer number of the symbol position where the peak EVM error is detected.</li> <li>7. Magnitude error – a floating point number (in percent) of average magnitude error over the entire measurement area.</li> <li>8. Maximum magnitude error – a floating point number (in percent) of maximum magnitude error over the entire measurement area.</li> <li>9. Phase error – a floating point number (in degree) of average phase error over the entire measurement area.</li> <li>10. Maximum Phase error – a floating point number (in degree) of maximum phase error over the entire measurement area.</li> <li>11. Frequency error – a floating point number (in Hz) of the frequency error in the measured signal.</li> <li>12. Maximum frequency error – a floating point number (in Hz) of the highest frequency error in the measured signal.</li> <li>13. I/Q origin offset – a floating point number (in dB) of the I and Q error (magnitude squared) offset from the origin.</li> </ol>
2	<p>Returns series of floating point numbers (in percent) that represent each sample in the EVM vector trace for the last slot. The first number is the symbol 0 decision point and there are 5 points per symbol. Therefore, the decision points are at 0, 5, 10, 15. . . .</p>
3	<p>Returns series of floating point numbers (in percent) that represent each sample in the magnitude error vector trace for the last slot. The first number is the symbol 0 decision point and there are 5 points per symbol. Therefore, the decision points are at 0, 5, 10, 15. . . .</p>
4	<p>Returns series of floating point numbers (in degree) that represent each sample in the phase error vector trace for the last slot. The first number is the symbol 0 decision point and there are 5 points per symbol. Therefore, the decision points are at 0, 5, 10, 15 . . .</p>

<b>n</b>	<b>Results Returned</b>
5	<p>Returns series of floating point numbers that alternately represent I and Q pairs of the final corrected measured data for the last slot. The magnitude of each I and Q pair are normalized to 1.0. The first number is the in-phase (I) sample of symbol 0 decision point and the second is the quadrature-phase (Q) sample of symbol 0 decision point. As in the EVM, there are 5 points per symbol, so the series of numbers is:</p> <p>1st number = I of the symbol 0 decision point                  2nd number = Q of the symbol 0 decision point</p> <p>. . .  <math>(2 \times 5) + 1</math> (or 11th) number = I of the symbol 1 decision point  <math>(2 \times 5) + 2</math> (or 12th) number = Q of the symbol 1 decision point</p> <p>. . .  <math>(2 \times 5) \times N + 1</math> number = I of the symbol N decision point  <math>(2 \times 5) \times N + 2</math> number = Q of the symbol N decision point</p>

## EDGE Output RF Spectrum Measurement

This measures adjacent channel power. From 1 to 15 offsets can be measured at one time. You must be in the EDGE(w/GSM) mode to use these commands. Use INSTRument:SElect to set the mode.

The general functionality of CONFigure, FETCh, MEASure, and READ are described at the beginning of this section. See the SENSE:EORFspectr commands for more measurement related commands.

```
:CONFigure:EORFspectr
:FETCh:EORFspectr[n]?
:READ:EORFspectr[n]?
:MEASure:EORFspectr[n]?
```

History: Version A.04.00 or later

Front Panel

Access: **Measure, EDGE Output RF Spectrum**

After the measurement is selected, press **Restore Meas Defaults** to restore factory defaults.

### Measurement Results Available

The default settings for the MEASure command only measure the carrier and 5 standard offsets. The default does not measure the switching transients. If you use the CONFigure, INITiate, and FETCh commands in place of the MEASure command, you can then use the SENSE commands to change the settings from these defaults. Use [:SENSE]:EORFspectr:LIST:SWITCh CUSTom to select a customized set of offsets. Use [:SENSE]:EORFspectr:TYPE MSWITChing to measure switching in addition to measuring modulation. (The measurement will take longer when measuring switching transients.

Measurement Method	n	Results Returned
	0	Returns unprocessed I/Q trace data, as a series of comma-separated trace points, in volts. The I values are listed first in each pair, using the 0 through even-indexed values. The Q values are the odd-indexed values.

<b>Measurement Method</b>	<b>n</b>	<b>Results Returned</b>
Multiple offsets	not specified or n=1	<p>Returns a list of comma-separated values for the modulation spectrum at all the offsets (lower and upper.) This is followed by the switching transients results at all the offsets (lower and upper). Note that the carrier is considered offset zero (0) and is the first set of results sent. Four values are provided for each of the offsets (including the carrier), in this order:</p> <ol style="list-style-type: none"> <li>1. Negative offset(a) - power relative to carrier (dB)</li> <li>2. Negative offset(a) - absolute average power (dBm)</li> <li>3. Positive offset(a) - power relative to carrier (dB)</li> <li>4. Positive offset(a) - absolute average power (dBm)</li> </ol> <p>Values for all possible offsets are sent. Zeros are sent for offsets that have not been defined. The total number of values sent (120) = (4 results/offset) × (15 offsets) × (2 measurement types - modulation &amp; switching)</p> <p>Carrier - modulation measurement values            Offset 1 - modulation measurement values            ...            Offset 14 - modulation measurement values            Carrier - switching transients measurement values            Offset 1 - switching transients measurement values            ...            Offset 14- switching transients measurement values</p> <p>This measurement defaults to modulation measurements and not switching measurements. If you want to return the switching measurement values, you must change that default condition and use FETCh or READ to return values, rather than MEASure.</p> <p>NOTE: When using custom modulation and switching offsets the maximum number of measured values returned is:</p> <p>13 modulation offsets + 0 Hz carrier            4 switching offsets + 0 Hz carrier</p>
Single offset	not specified or n=1	<p>Returns 4 comma-separated results for the specified offset:</p> <ol style="list-style-type: none"> <li>1. Modulation spectrum power, dB</li> <li>2. Modulation spectrum power, dBm</li> <li>3. Switching transient power, dB</li> <li>4. Switching transient power, dBm</li> </ol>
Single offset	2	<p>Returns floating point numbers (in dBm) of the captured trace data. It contains N data points of the “spectrum due to modulation” signal, where N is the specified number of samples.</p>

<b>Measurement Method</b>	<b>n</b>	<b>Results Returned</b>
Single offset	3	Returns floating point numbers (in dBm) of the captured trace data. It contains N data points of the “spectrum due to switching transients” signal, where N is the specified number of samples.



## EDGE Power vs. Time Measurement

This measures the average power during the “useful part” of the burst comparing the power ramp to required timing mask. You must be in EDGE(w/GSM) mode to use these commands. Use INSTRument:SElect to set the mode.

The general functionality of CONFigure, FETCh, MEASure, and READ are described at the beginning of this section. See the SENSE:EPVTime commands for more measurement related commands.

**:CONFigure:EPVTime**

**:FETCh:EPVTime[n]?**

**:READ:EPVTime[n]?**

**:MEASure:EPVTime[n]?**

Front Panel

Access: **Measure, EDGE Pwr vsTime**

After the measurement is selected, press **Restore Meas Defaults** to restore factory defaults.

### Measurement Results Available

n	Results Returned
0	Returns unprocessed I/Q trace data, as a series of comma-separated trace points, in volts. The I values are listed first in each pair, using the 0 through even-indexed values. The Q values are the odd-indexed values.
not specified or n=1	<p>Returns the following comma-separated scalar results:</p> <ol style="list-style-type: none"> <li>1. <b>Sample time</b> is a floating point number that represents the time between samples when using the trace queries (n=0,2,etc.).</li> <li>2. <b>Power single burst</b> is the mean power (in dBm) across the useful part of the selected burst in the most recently acquired data, or in the last data acquired at the end of a set of averages. If averaging is on, the power is for the last burst.</li> <li>3. <b>Power averaged</b> is the power (in dBm) of N averaged bursts, if averaging is on. The power is averaged across the useful part of the burst. Average <i>m</i> is a single burst from the acquired trace. If there are multiple bursts in the acquired trace, only one burst is used for average <i>m</i>. This means that N traces are acquired to make the complete average. If averaging is off, the value of <b>power averaged</b> is the same as the <b>power single burst</b> value.</li> <li>4. <b>Number of samples</b> is the number of data points in the captured signal. This number is useful when performing a query on the signal (i.e. when n=0,2,etc.).</li> <li>5. <b>Start</b> is the index of the data point at the start of the useful part of the burst</li> <li>6. <b>Stop</b> is the index of the data point at the end of the useful part of the burst</li> <li>7. <b>T<sub>0</sub></b> is the index of the data point where <i>t<sub>0</sub></i> occurred</li> <li>8. <b>Burst width</b> is the width of the burst measured at -3dB below the mean power in the useful part of the burst.</li> <li>9. <b>Maximum value</b> is the maximum value of the most recently acquired data (in dBm).</li> <li>10. <b>Minimum value</b> is the minimum value of the most recently acquired data (in dBm).</li> <li>11. <b>Burst search threshold</b> is the value (in dBm) of the threshold where a valid burst is identified, after the data has been acquired.</li> <li>12. <b>IQ point delta</b> is the number of data points offset that are internally applied to the useful data in traces <i>n</i>=2,3,4. You must apply this correction value to find the actual location of the <b>Start</b>, <b>Stop</b>, or <b>T<sub>0</sub></b> values.  (e.g. for <i>n</i>=2, Start (for the IQ trace data) = Start + IQ_point_delta)</li> </ol>

<b>n</b>	<b>Results Returned</b>
2	Returns comma-separated trace points of the entire waveform data. These data points are floating point numbers representing the power of the signal (in dBm). There are N data points, where N is the <b>number of samples</b> . The period between the samples is defined by the <b>sample time</b> .
3	Returns comma-separated points representing the upper mask (in dBm).
4	Returns comma-separated points representing the lower mask (in dBm).

## Output RF Spectrum Measurement

This measures adjacent channel power. From 1 to 15 offsets can be measured at one time. You must be in the EDGE, GSM mode to use these commands. Use INSTRument:SElect to set the mode.

The general functionality of CONFigure, FETCh, MEASure, and READ are described at the beginning of this section. See the SENSE:ORFSpectrum commands for more measurement related commands.

```
:CONFigure:ORFSpectrum
:FETCh:ORFSpectrum[n]?
:READ:ORFSpectrum[n]?
:MEASure:ORFSpectrum[n]?
```

Front Panel

Access: **Measure, Output RF Spectrum**

After the measurement is selected, press **Restore Meas Defaults** to restore factory defaults.

### Measurement Results Available

The default settings for the MEASure command only measure the carrier and 5 standard offsets. The default does not measure the switching transients. If you use the CONFigure, INITiate, and FETCh commands in place of the MEASure command, you can then use the SENSE commands to change the settings from these defaults. Use [:SENSE]:ORFSpectrum:LIST:SWITCh CUSTom to select a customized set of offsets. Use [:SENSE]:ORFSpectrum:TYPE MSWitching to measure switching in addition to measuring modulation. (The measurement will take longer when measuring switching transients.

Measurement Method	n	Results Returned
	0	Returns unprocessed I/Q trace data, as a series of comma-separated trace points, in volts. The I values are listed first in each pair, using the 0 through even-indexed values. The Q values are the odd-indexed values.
Single offset	not specified or n=1	Returns 4 comma-separated results for the specified offset: <ol style="list-style-type: none"> <li>1. Modulation spectrum power, dB</li> <li>2. Modulation spectrum power, dBm</li> <li>3. Switching transient power, dB</li> <li>4. Switching transient power, dBm</li> </ol>

<b>Measurement Method</b>	<b>n</b>	<b>Results Returned</b>
Multiple offsets	not specified or n=1	<p>Returns a list of comma-separated values for the modulation spectrum at all the offsets (lower and upper.) This is followed by the switching transients results at all the offsets (lower and upper). Note that the carrier is considered offset zero (0) and is the first set of results sent. Four values are provided for each of the offsets (including the carrier), in this order:</p> <ol style="list-style-type: none"> <li>1. Negative offset(a) - power relative to carrier (dB)</li> <li>2. Negative offset(a) - absolute average power (dBm)</li> <li>3. Positive offset(a) - power relative to carrier (dB)</li> <li>4. Positive offset(a) - absolute average power (dBm)</li> </ol> <p>Values for all possible offsets are sent. Zeros are sent for offsets that have not been defined. The total number of values sent (120) = (4 results/offset) × (15 offsets) × (2 measurement types - modulation &amp; switching)</p> <p>Carrier - modulation measurement values            Offset 1 - modulation measurement values            ...            Offset 14 - modulation measurement values            Carrier - switching transients measurement values            Offset 1 - switching transients measurement values            ...            Offset 14- switching transients measurement values</p> <p>This measurement defaults to modulation measurements and not switching measurements. If you want to return the switching measurement values, you must change that default condition and use FETCh or READ to return values, rather than MEASure.</p> <p>NOTE: When using custom modulation and switching offsets the maximum number of measured values returned is:</p> <p>13 modulation offsets + 0 Hz carrier            4 switching offsets + 0 Hz carrier</p>
Single offset	2	Returns floating point numbers (in dBm) of the captured trace data. It contains N data points of the “spectrum due to modulation” signal, where N is the specified number of samples.
Single offset	3	Returns floating point numbers (in dBm) of the captured trace data. It contains N data points of the “spectrum due to switching transients” signal, where N is the specified number of samples.

## Phase & Frequency Error Measurement

This measures the modulation quality of the transmitter by checking phase and frequency accuracy. You must be in the EDGE, GSM mode to use these commands. Use INSTRument:SElect to set the mode.

The general functionality of CONFigure, FETCh, MEASure, and READ are described at the beginning of this section. See the SENSE:PFERror commands for more measurement related commands.

**:CONFigure:PFERror**

**:FETCh:PFERror[n]?**

**:READ:PFERror[n]?**

**:MEASure:PFERror[n]?**

Front Panel

Access: **Measure, Phase & Freq**

After the measurement is selected, press **Restore Meas Defaults** to restore factory defaults.

### Measurement Results Available

<b>n</b>	<b>Results Returned</b>
0	Returns unprocessed I/Q trace data, as a series of comma-separated trace points, in volts. The I values are listed first in each pair, using the 0 through even-indexed values. The Q values are the odd-indexed values,

<b>n</b>	<b>Results Returned</b>
not specified or n=1	<p>Returns the following comma-separated scalar results:</p> <ol style="list-style-type: none"> <li>1. <b>RMS phase error</b> is a floating point number (in degrees) of the rms phase error between the measured phase and the ideal phase. The calculation is based on symbol decision points and points halfway between symbol decision points (i.e. 2 points/symbol). If averaging is on, this is the average of the individual rms measurements.</li> <li>2. <b>Peak phase error</b> is a floating point number (in degrees) of the peak phase error of all the symbol decision points. rms averaging does not affect this calculation.</li> <li>3. <b>Peak phase symbol</b> is a floating point number (in symbols) representing the symbol number at which the peak phase error occurred. Averaging does not affect this calculation.</li> <li>4. <b>Frequency error</b> is a floating point number (in Hz) of the frequency error in the measured signal. This is the difference between the measured phase trajectory and the reference phase trajectory.</li> <li>5. <b>I/Q origin offset</b> is a floating point number (in dB) of the I and Q error (magnitude squared) offset from the origin.</li> <li>6. <b>Phase sample</b> is a floating point number (in units of bits) representing the time between samples. It is used in querying phase error vector traces.</li> <li>7. <b>Bit 0 offset</b> is an integer number for the sample point in a phase error vector trace that represents the bit 0 (zero) decision point. The sample points in the trace are numbered 0 to N.</li> <li>8. <b>Sync start</b> is an integer number for the bit number, within the data bits trace, that represents the start of the sync word.</li> <li>9. <b>Time sample</b> is a floating point number (in seconds) of the time between samples. It is used in querying time domain traces. For the n=0 trace, of acquired I/Q pairs, this is the time between pairs.</li> </ol>
2, and <b>Multi View</b> is the selected view	Returns a series of floating point numbers (in degrees) that represent each sample in the phase error trace. The first number is the symbol 0 decision point and there are 10 points per symbol. Therefore, decision points are at 0, 10, 20, etc.
3, and <b>Multi View</b> is the selected view	Returns a series of floating point numbers (in degrees) that represent each sample in the phase error with frequency trace. Phase error with frequency is the error vector between the measured phase (that has not had frequency compensation) and the ideal reference phase. The calculation is based on symbol decision points and points halfway between symbol decision points (i.e. 2 points/symbol). The first number is the symbol 0 decision point and there are 10 points per symbol. Therefore, decision points are at 0, 10, 20, etc.
4, and <b>Multi View</b> is the selected view	Returns a series of floating point numbers that represent each sample in the log magnitude trace of the original time record. Each number represents a value (in dBm) of the time record.

<b>n</b>	<b>Results Returned</b>
<p>5, and IQ Measured Polar Vector is the selected view</p>	<p>Returns a series of floating point numbers that alternately represent I and Q pairs of the corrected measured trace. The magnitude of each I and Q pair are normalized to 1.0. The first number is the in-phase (I) sample of symbol 0 decision point and the second is the quadrature-phase (Q) sample of symbol 0 decision point. As in the rms phase error, there are ten points per symbol, so that:</p> <p style="padding-left: 40px;">1st number = I of the symbol 0 decision point            2nd number = Q of the symbol 0 decision point            ..            10th number = Q of the symbol 0 decision point            11th number = I of the symbol 1 decision point            12th number = Q of the symbol 1 decision point            ..            10 × Nth number = Q of the symbol N decision point</p>
<p>6, and Multi View is the selected view</p>	<p>Returns a series of logical values (0 or 1) that represent the demodulated bit value of the measured waveform. The first number is the symbol 0 decision point and there are 10 points per symbol. Therefore, decision points are at 0, 10, 20, etc.</p>



## Power vs. Time Measurement

This measures the average power during the “useful part” of the burst comparing the power ramp to required timing mask. You must be in EDGE, GSM or Service mode to use these commands. Use INSTRument:SElect to set the mode.

The general functionality of CONFigure, FETCh, MEASure, and READ are described at the beginning of this section. See the SENSE:PVTime commands for more measurement related commands.

```
:CONFigure:PVTime
:FETCh:PVTime[n]?
:READ:PVTime[n]?
:MEASure:PVTime[n]?
```

Front Panel

Access: **Measure, Power vs Time**

After the measurement is selected, press **Restore Meas Defaults** to restore factory defaults.

### Measurement Results Available

<b>n</b>	<b>Results Returned</b>
0	Returns unprocessed I/Q trace data, as a series of comma-separated trace points, in volts. The I values are listed first in each pair, using the 0 through even-indexed values. The Q values are the odd-indexed values.

<b>n</b>	<b>Results Returned</b>
not specified or n=1	<p>Returns the following comma-separated scalar results:</p> <ol style="list-style-type: none"> <li>1. <b>Sample time</b> is a floating point number that represents the time between samples when using the trace queries (n=0,2,etc.).</li> <li>2. <b>Power of single burst</b> is the mean power (in dBm) across the useful part of the selected burst in the most recently acquired data, or in the last data acquired at the end of a set of averages. If averaging is on, the power is for the last burst.</li> <li>3. <b>Power averaged</b> is the power (in dBm) of N averaged bursts, if averaging is on. The power is averaged across the useful part of the burst. Average <i>m</i> is a single burst from the acquired trace. If there are multiple bursts in the acquired trace, only one burst is used for average <i>m</i>. This means that N traces are acquired to make the complete average. If averaging is off, the value of <b>power averaged</b> is the same as the <b>power single burst</b> value.</li> <li>4. <b>Number of samples</b> is the number of data points in the captured signal. This number is useful when performing a query on the signal (i.e. when n=0,2,etc.).</li> <li>5. <b>Start point of the useful part of the burst</b> is the index of the data point at the start of the useful part of the burst</li> <li>6. <b>Stop point of the useful part of the burst</b> is the index of the data point at the end of the useful part of the burst</li> <li>7. <b>Index of the data point where T<sub>0</sub> occurred.</b></li> <li>8. <b>Burst width of the useful part of the burst</b> is the width of the burst measured at -3dB below the mean power in the useful part of the burst.</li> <li>9. <b>Maximum value</b> is the maximum value of the most recently acquired data (in dBm).</li> <li>10. <b>Minimum value</b> is the minimum value of the most recently acquired data (in dBm).</li> <li>11. <b>Burst search threshold</b> is the value (in dBm) of the threshold where a valid burst is identified, after the data has been acquired.</li> <li>12. <b>IQ point delta</b> is the number of data points offset that are internally applied to the useful data in traces n=2,3,4. You must apply this correction value to find the actual location of the <b>Start, Stop, or T<sub>0</sub></b> values.</li> </ol>
2	Returns comma-separated trace points of the entire captured I/Q trace data. These data points are floating point numbers representing the power of the signal (in dBm). There are N data points, where N is the <b>number of samples</b> . The period between the samples is defined by the <b>sample time</b> .
3	Returns comma-separated points representing the upper mask (in dBm).
4	Returns comma-separated points representing the lower mask (in dBm).

## Spectrum (Frequency Domain) Measurement

This measures the amplitude of your input signal with respect to the frequency. It provides spectrum analysis capability using FFT (fast Fourier transform) measurement techniques. You must select the appropriate mode using INSTRument:SElect, to use these commands.

The general functionality of CONFigure, FETCh, MEASure, and READ are described at the beginning of this section. See the SENSE:SPECTrum commands for more measurement related commands.

```
:CONFigure:SPECTrum
:FETCh:SPECTrum[n]?
:READ:SPECTrum[n]?
:MEASure:SPECTrum[n]?
```

Front Panel

Access: **Measure, Spectrum (Freq Domain)**

After the measurement is selected, press **Restore Meas Defaults** to restore factory defaults.

### Measurement Results Available

<b>n</b>	<b>Results Returned</b>
0	Returns unprocessed I/Q trace data, as a series of comma-separated trace points, in volts. The I values are listed first in each pair, using the 0 through even-indexed values. The Q values are the odd-indexed values.

<b>n</b>	<b>Results Returned</b>
not specified or n=1	<p>Returns the following comma-separated scalar results:</p> <ol style="list-style-type: none"> <li>1. <b>FFT peak</b> is the FFT peak amplitude.</li> <li>2. <b>FFT frequency</b> is the FFT frequency of the peak amplitude.</li> <li>3. <b>FFT points</b> is the Number of points in the FFT spectrum.</li> <li>4. <b>First FFT frequency</b> is the frequency of the first FFT point of the spectrum.</li> <li>5. <b>FFT spacing</b> is the frequency spacing between the FFT points of the spectrum.</li> <li>6. <b>Time domain points</b> is the number of points in the time domain trace used for the FFT. The number of points doubles if the data is complex instead of real. See the time domain scaler description below.</li> <li>7. <b>First time point</b> is the time of the first time domain point, where time zero is the trigger event.</li> <li>8. <b>Time spacing</b> is the time spacing between the time domain points. The time spacing value doubles if the data is complex instead of real. See the time domain scaler description below.</li> <li>9. <b>Time domain</b> returns a 1 if time domain is complex (I/Q) and complex data will be returned. It returns a 0 if the data is real. (raw ADC samples) When this value is 1 rather than 0 (complex vs. real data), the time domain points and the time spacing scalers both increase by a factor of two.</li> <li>10. <b>Scan time</b> is the total scan time of the time domain trace used for the FFT. The total scan time = (time spacing) X (time domain points – 1)</li> <li>11. <b>Current average count</b> is the current number of data measurements that have already been combined, in the averaging calculation.</li> </ol>
2, Service mode only	Returns the trace data of the log-magnitude versus time. (That is, the RF envelope.)
3	Returns the I and Q trace data. It is represented by I and Q pairs (in volts) versus time.
4	Returns spectrum trace data. That is, the trace of log-magnitude versus frequency. (The trace is computed using a FFT.)
5, Service mode only	Returns the averaged trace data of log-magnitude versus time. (That is, the RF envelope.)
6	Not used.
7	Returns the averaged spectrum trace data. That is, the trace of the averaged log-magnitude versus frequency.
8	Not used.
9, Service mode only	Returns a trace containing the shape of the FFT window.

<b>n</b>	<b>Results Returned</b>
10, Service mode only	Returns trace data of the phase of the FFT versus frequency.

## Transmit Band Spurs Measurement

This measures the spurious emissions in the transmit band relative to the channel power in the selected channel. You must be in the EDGE, GSM mode to use these commands. Use INSTRUMENT:SElect to set the mode.

The general functionality of CONFigure, FETCh, MEASure, and READ are described at the beginning of this section. See the SENSE:TSPur commands for more measurement related commands.

:CONFigure:TSPur

:FETCh:TSPur[n]?

:READ:TSPur[n]?

:MEASure:TSPur[n]?

History: Version A.03.00 or later

Front Panel

Access: **Measure, Tx Band Spurs**

After the measurement is selected, press **Restore Meas Defaults** to restore factory defaults.

### Measurement Results Available

n	Results Returned
0	Returns unprocessed I/Q trace data, as a series of comma-separated trace points, in volts. The I values are listed first in each pair, using the 0 through even-indexed values. The Q values are the odd-indexed values.
Not specified or n=1	Returns 3 comma-separated scalar results: <ol style="list-style-type: none"> <li>1. The worst spur's frequency difference from channel center frequency (in MHz)</li> <li>2. The worst spur's amplitude difference from the limit (in dB)</li> <li>3. The worst spur's amplitude difference from the mean transmit power (in dB)</li> </ol>
2	Returns trace of the segment containing the worst spur.

## Transmit Power Measurement

This measures the power in the channel. It compares the average power of the RF signal burst to a specified threshold value. You must be in the EDGE, GSM mode to use these commands. Use INSTRument:SElect to set the mode.

The general functionality of CONFigure, FETCh, MEASure, and READ are described at the beginning of this section. See the SENSE:TXPower commands for more measurement related commands.

:CONFigure:TXPower

:FETCh:TXPower[n]?

:READ:TXPower[n]?

:MEASure:TXPower[n]?

Front Panel

Access: **Measure, Transmit Power**

After the measurement is selected, press **Restore Meas Defaults** to restore factory defaults.

### Measurement Results Available

<b>n</b>	<b>Results Returned</b>
0	Returns unprocessed I/Q trace data, as a series of comma-separated trace points, in volts. The I values are listed first in each pair, using the 0 through even-indexed values. The Q values are the odd-indexed values.

<b>n</b>	<b>Results Returned</b>
not specified or n=1	<p>Returns the following comma-separated scalar results:</p> <ol style="list-style-type: none"> <li>1. <b>Sample time</b> is a floating point number representing the time between samples when using the trace queries (n=0,2,etc).</li> <li>2. <b>Power</b> is the mean power (in dBm) of the power above the threshold value. If averaging is on, the power is for the latest acquisition.</li> <li>3. <b>Power averaged</b> is the threshold power (in dBm) for N averages, if averaging is on. An average consists of N acquisitions of data which represents the current trace. If averaging is off, the value of <b>power averaged</b> is the same as the <b>power</b> value.</li> <li>4. <b>Number of samples</b> is the number of data points in the captured signal. This number is useful when performing a query on the signal (i.e. when n=0,2,etc.).</li> <li>5. <b>Threshold value</b> is the threshold (in dBm) above which the power is calculated.</li> <li>6. <b>Threshold points</b> is the number of points that were above the threshold and were used for the power calculation.</li> <li>7. <b>Maximum value</b> is the maximum of the most recently acquired data (in dBm).</li> <li>8. <b>Minimum value</b> is the minimum of the most recently acquired data (in dBm).</li> </ol>
2	<p>Returns comma-separated trace points of the entire captured trace data. These data points are floating point numbers representing the power of the signal (in dBm). There are N data points, where N is the <b>number of samples</b>. The period between the samples is defined by the <b>sample time</b>.</p>



## Waveform (Time Domain) Measurement

This measures the power in your input signal with respect to time and is equivalent to zero-span operation in a traditional spectrum analyzer. You must select the appropriate mode using INSTRUMENT:SELEct, to use these commands.

The general functionality of CONFigure, FETCh, MEASure, and READ are described at the beginning of this section. See the SENSE:WAVEform commands for more measurement related commands.

```
:CONFigure:WAVEform
:FETCh:WAVEform[n]?
:READ:WAVEform[n]?
:MEASure:WAVEform[n]?
```

Front Panel

Access: **Measure, Waveform (Time Domain)**

After the measurement is selected, press **Restore Meas Defaults** to restore factory defaults.

### Measurement Results Available

<b>n</b>	<b>Results Returned</b>
0	Returns unprocessed I/Q trace data, as a series of comma-separated trace points, in volts. The I values are listed first in each pair, using the 0 through even-indexed values. The Q values are the odd-indexed values.

<b>n</b>	<b>Results Returned</b>
not specified or n=1	<p>Returns the following comma-separated scalar results:</p> <ol style="list-style-type: none"> <li>1. <b>Sample time</b> is a floating point number representing the time between samples when using the trace queries (n=0,2,etc).</li> <li>2. <b>Mean power</b> is the mean power (in dBm). This is either the power across the entire trace, or the power between markers if the markers are enabled. If averaging is on, the power is for the latest acquisition.</li> <li>3. <b>Mean power averaged</b> is the power (in dBm) for N averages, if averaging is on. This is either the power across the entire trace, or the power between markers if the markers are enabled. If averaging is on, the power is for the latest acquisition. If averaging is off, the value of the mean power averaged is the same as the value of the mean power.</li> <li>4. <b>Number of samples</b> is the number of data points in the captured signal. This number is useful when performing a query on the signal (i.e. when n=0,2,etc.).</li> <li>5. <b>Peak-to-mean ratio</b> has units of dB. This is the ratio of the maximum signal level to the mean power. Valid values are only obtained with averaging turned off. If averaging is on, the peak-to-mean ratio is calculated using the highest peak value, rather than the displayed average peak value.</li> <li>6. <b>Maximum value</b> is the maximum of the most recently acquired data (in dBm).</li> <li>7. <b>Minimum value</b> is the minimum of the most recently acquired data (in dBm).</li> </ol>
2	<p>Returns comma-separated trace points of the entire captured trace data. These data points are floating point numbers representing the power of the signal (in dBm). There are N data points, where N is the <b>number of samples</b>. The period between the samples is defined by the <b>sample time</b>.</p>

## READ Subsystem

The READ? commands are used with several other commands and are documented in the section on the [“MEASure Group of Commands”](#).

### Initiate and Read Measurement Data

**:READ:<measurement>[n]?**

A READ? query must specify the desired measurement. It will cause a measurement to occur without changing any of the current settings and will return any valid results. The code number n selects the kind of results that will be returned. The available measurements and data results are described in the [“MEASure Group of Commands”](#).

## SENSe Subsystem

Sets the instrument state parameters so that you can measure the input signal.

### Select the ARFCN—Absolute RF Channel Number

```
[ :SENSe ]:CHANnel:ARFCn | RFChannel <integer>
```

```
[ :SENSe ]:CHANnel:ARFCn | RFChannel?
```

Set the analyzer to a frequency that corresponds to the ARFCN (Absolute RF Channel Number).

Factory Preset  
and \*RST: 38

Range: 0 to 124, and 975 to 1023 for E-GSM  
1 to 124 for P-GSM  
0 to 124, and 955 to 974 for R-GSM  
512 to 885 for DCS1800  
512 to 810 for PCS1900  
259 to 293 for GSM450  
306 to 340 for GSM480  
128 to 251 for GSM850

Remarks: You must be in the EDGE(w/GSM), GSM mode to use this command. Use INSTRument:SElect to set the mode.

Global to the current mode.

History: Version A.03.00 or later

Front Panel

Access: **FREQUENCY Channel, ARFCN**

## Select the Lowest ARFCN

[ :SENSE ] :CHANnel :ARFCn | RFChannel :BOTTom

Set the analyzer to the frequency of the lowest ARFCN (Absolute RF Channel Number) of the selected radio band.

Factory Preset

and \*RST:      975 for E-GSM  
                  1 for P-GSM  
                  955 for R-GSM  
                  512 for DCS1800  
                  512 PCS1900  
                  259 GSM450  
                  306 GSM480  
                  128 GSM850

Remarks:      You must be in the EDGE(w/GSM), GSM mode to use this command. Use INSTRument:SElect to set the mode.

Global to the current mode.

History:        Version A.03.00 or later

Front Panel

Access:        FREQUENCY Channel, BMT Freq

## Select the Middle ARFCN

[ :SENSe ] :CHANnel :ARFCn | RFCHannel :MIDDLE

Set the analyzer to the frequency of the middle ARFCN (Absolute RF Channel Number) of the selected radio band.

Factory Preset

and \*RST:      38 for E-GSM  
                  63 for P-GSM  
                  28 for R-GSM  
                  699 for DCS1800  
                  661 for PCS1900  
                  276 for GSM450  
                  323 for GSM480  
                  189 for GSM850

Remarks:      You must be in the EDGE(w/GSM), GSM mode to use this command. Use INSTRument:SElect to set the mode.

Global to the current mode.

History:        Version A.03.00 or later

Front Panel

Access:        FREQUENCY Channel, BMT Freq

## Select the Highest ARFCN

[ :SENSe ] :CHANnel :ARFCn | RFCHannel :TOP

Set the analyzer to the frequency of the highest ARFCN (Absolute RF Channel Number) of the selected radio band.

Factory Preset

and \*RST:      124 for E-GSM  
                  124 for P-GSM  
                  124 for R-GSM  
                  885 for DCS1800  
                  810 for PCS1900  
                  293 for GSM450  
                  340 for GSM480  
                  251 for GSM850

Remarks: You must be in the EDGE(w/GSM), GSM mode to use this command. Use INSTRUMENT:SElect to set the mode.

Global to the current mode.

History: Version A.03.00 or later

Front Panel

Access: FREQUENCY Channel, BMT Freq

## Channel Burst Type

```
[ :SENSe ] :CHANnel :BURSt NORMal | SYNC | ACCess
```

```
[ :SENSe ] :CHANnel :BURSt ?
```

Set the training sequence code that the analyzer will search for and sync to. This only applies with normal burst selected.

Normal: Traffic Channel (TCH) and Control Channel (CCH)

Sync: Synchronization Channel (SCH)

Access: Random Access Channel (RACH)

Example: info

Remarks: Global to the current mode.

You must be in the EDGE(w/GSM), GSM mode to use this command. Use INSTRUMENT:SElect to set the mode.

Front Panel

Access: FREQUENCY Channel, Burst Type

## Time Slot number

[ :SENSe ] :CHANnel :SLOT <integer>

[ :SENSe ] :CHANnel :SLOT?

Select the slot number that you want to measure.

In GSM mode the measurement frame is divided into the eight expected measurement timeslots. Optimum alignment of these measurement timeslots with the actual data timeslots may require some trigger time delay. A trigger delay of about 20 ms is a reasonable offset to use for a typical signal.

Factory Preset

and \*RST: 0 for GSM, PDC mode

1 for NADC mode

Range: 0 to 5 for PDC mode

1 to 6 for NADC mode

0 to 7 for GSM mode

Remarks:

You must be in EDGE(w/GSM), GSM, NADC, PDC mode to use this command. Use INSTRument:SElect to set the mode.

Front Panel

Access: **Mode Setup, Radio, Frequency Hopping Repetition Factor**

## Time Slot Auto

[ :SENSe ] :CHANnel :SLOT :AUTO OFF | ON | 0 | 1

[ :SENSe ] :CHANnel :SLOT :AUTO?

Select auto or manual control for slot searching. The feature is only supported in external and frame trigger source modes. In external trigger mode when timeslot is set on, the demodulation measurement is made on the nth timeslot specified by the external trigger point + n timeslots, where n is the selected timeslot value 0 to 7. In frame trigger mode when timeslot is set on, then demodulation measurement is only made on the nth timeslot specified by bit 0 of frame reference burst + n timeslots, where n is the selected timeslot value 0 to 7 and where the frame reference burst is specified by Ref Burst and Ref TSC (Std) combination.

Factory Preset

and \*RST: On, for NADC, PDC mode

Off, for GSM mode



Remarks: The command is only applicable for mobile station testing, device = MS.  
You must be in EDGE(w/GSM), GSM, NADC, PDC mode to use this command. Use INSTRUMENT:SElect to set the mode.

History: Added GSM mode, version A.03.00 or later

## Training Sequence Code (TSC)

[ :SENSE]:CHANnel:TSCode <integer>

[ :SENSe]:CHANnel:TSCode?

Set the training sequence code to search for, with normal burst selected and TSC auto set to off.

Factory Preset  
and \*RST: 0

Range: 0 to 7

Remarks: Global to the current mode.  
You must be in the EDGE(w/GSM), GSM mode to use this command. Use INSTRUMENT:SElect to set the mode.

History: Version A.03.00 or later

Front Panel  
Access: **FREQUENCY Channel, TSC (Std)**

## Training Sequence Code (TSC) Auto

```
[ :SENSe ] :CHANnel :TSCode :AUTO OFF | ON | 0 | 1
```

```
[ :SENSe ] :CHANnel :TSCode :AUTO?
```

Select auto or manual control for training sequence code (TSC) search. With auto on, the measurement is made on the first burst found to have one of the valid TSCs in the range 0 to 7 (i.e. normal bursts only). With auto off, the measurement is made on the 1st burst found to have the selected TSC.

Factory Preset  
and \*RST: Auto

Remarks: Global to the current mode.

You must be in the EDGE(w/GSM), GSM mode to use this command. Use INSTRument:SElect to set the mode.

Front Panel  
Access: FREQUENCY Channel, TSC (Std)

## Correction for BTS RF Port External Attenuation

```
[ :SENSe ] :CORRection :BTS [ :RF ] :LOSS <rel_power>
```

```
[ :SENSe ] :CORRection :BTS [ :RF ] :LOSS?
```

Set equal to the external attenuation used when measuring base transmit stations.

Factory Preset  
and \*RST: 0.0 dB

Range: 0.0 to 100.0 dB for GSM  
-50.0 to 50.0 dB for cdma2000, W-CDMA (3GPP), or  
W-CDMA (Trial & Arib)

Default Unit: dB

Remarks: Global to the current mode.

You must be in the EDGE(w/GSM), GSM, cdma2000, W-CDMA (3GPP), or W-CDMA (Trial & Arib) mode to use this command. Use INSTRument:SElect to set the mode.

## EDGE Error Vector Magnitude Measurement

Commands for querying the EDGE error vector magnitude measurement results and for setting to the default values are found in the “MEASure Group of Commands” . The equivalent front panel keys for the parameters described in the following commands, are found under the **Meas Setup** key, after the **EVM** measurement has been selected from the **MEASURE** key menu.

History: EEVM measurement added version A.04.00 and later.

### EDGE Error Vector Magnitude—Averaging State

[ :SENSE ] :EEVM:AVERAge [ :STATe ] OFF | ON | 0 | 1

[ :SENSE ] :EEVM:AVERAge [ :STATe ] ?

Turn average on or off.

Factory Preset  
and \*RST: On

Remarks: You must be in the EDGE(w/GSM) mode to use this command. Use INSTRument:SElect to set the mode.

History: Added version A.04.00 and later

### EDGE Error Vector Magnitude—Averaging Termination Control

[ :SENSE ] :EEVM:AVERAge:TCONtrol EXPonential | REPeat

[ :SENSE ] :EEVM:AVERAge:TCONtrol ?

Select the type of termination control used to averaging. This determines the averaging action after the specified number of data acquisitions (average count) is reached.

Exponential – Each successive data acquisition after the average count is reached, is exponentially weighted and combined with the existing average.

Repeat – After reaching the average count, the averaging is reset and a new average is started.

Factory Preset  
and \*RST: Exponential

Remarks: You must be in the EDGE(w/GSM) mode to use this command. Use INSTRument:SElect to set the mode.

History: Added version A.04.00 and later

### EDGE Error Vector Magnitude—Burst Synchronization Source

[ :SENSe ] :EEVM:BSYNc:SOURce RFBurst | TSEQUence | NONE

[ :SENSe ] :EEVM:BSYNc:SOURce?

Select the method of synchronizing the measurement to the bursts.

RF Amplitude – The RF amplitude burst sync approximates the start and stop of the useful part of the burst without demodulation of the burst.

Sword – The burst sync performs a demodulation of the burst and determines the start and stop of the useful part of the burst based on the midamble sync sequence.

None – The measurement is performed without searching burst.

Factory Preset

and \*RST: None for BS

Sword for MS

Remarks: You must be in the EDGE(w/GSM) mode to use this command. Use INSTRument:SElect to set the mode.

History: Added version A.04.00 and later

### EDGE Error Vector Magnitude—Filter

[ :SENSe ] :EEVM:TRACe:FILTer FLAT | LINear

[ :SENSe ] :EEVM:TRACe:FILTer?

Select the filter shape for the measurement trace.

Factory Preset

and \*RST: Flat??

Remarks: You must be in the EDGE(w/GSM) mode to use this command. Use INSTRument:SElect to set the mode.

History: Added version A.04.00 and later

### EDGE Error Vector Magnitude—Points/Symbol

[ :SENSE ] :EEVM:TRACe:SDOTs <integer>

[ :SENSe ] :EEVM:TRACe:SDOTs?

Selects the number of dots that will be displayed for each symbol.

Factory Preset

and \*RST: 5

Range: 1 to 5

Remarks: You must be in the EDGE(w/GSM) mode to use this command. Use INSTRument:SElect to set the mode.

History: Added version A.04.00 and later

### EDGE Error Vector Magnitude—Trigger Source

[ :SENSe ] :EEVM:TRIGger:SOURce

EXtErnal[1] | EXtErnal2 | FRAMe | IF | IMMEdiate | RFBurst

[ :SENSe ] :EEVM:TRIGger:SOURce?

Select the trigger source used to control the data acquisitions.

External 1 – front panel external trigger input

External 2 – rear panel external trigger input

IF – internal IF envelope (video) trigger

Immediate – the next data acquisition is immediately taken, capturing the signal asynchronously (also called free run)

Frame – internal frame trigger from front panel input

RF Burst – wideband RF burst envelope trigger that has automatic level control for periodic burst signals

Factory Preset

and \*RST: Immediate for BS

RF Burst for MS

Remarks: You must be in the EDGE(w/GSM) mode to use this command. Use INSTRument:SElect to set the mode.

History: Added version A.04.00 and later

## EDGE Output RF Spectrum Measurement

Commands for querying the EDGE output RF spectrum measurement results and for setting to the default values are found in the “[MEASure Group of Commands](#)”. The equivalent front panel keys for the parameters described in the following commands, are found under the **Meas Setup** key, after the **EDGE Output RF Spectrum** measurement has been selected from the **MEASURE** key menu.

History: EORF measurement added version A.04.00 and later.

### EDGE Output RF Spectrum—Number of Bursts Averaged

```
[ :SENSe ]:EORFspectr:AVERAge:COUNT <integer>
```

```
[ :SENSe ]:EORFspectr:AVERAge:COUNT?
```

Set the number of bursts that will be averaged. For the output RF spectrum due to switching transients, it is more accurate to consider this the number of frames that are measured. After the specified number of bursts (average counts), the averaging mode (terminal control) setting determines the averaging action.

Factory Preset  
and \*RST: 20

Range: 1 to 10,000

Remarks: You must be in the EDGE(w/GSM) mode to use this command. Use INSTRument:SElect to set the mode.

### EDGE Output RF Spectrum—Fast Averaging

[ :SENSe ] :EORFspectr :AVERAge :FAST [ :STATe ] OFF | ON | 0 | 1

[ :SENSe ] :EORFspectr :AVERAge :FAST [ :STATe ] ?

Make the measurement faster by using an averaging technique different from that defined by the standard. A valid average can be obtained by measuring the power in half the normal number of bursts by using 50% - 90% of the burst, 10% - 50% of the burst and excluding the midamble.

This faster averaging is only done when averaging is on and only the modulation results are being measured. If both modulation and switching transients results are being measured, then the measurement uses the default averaging.

Factory Preset  
and \*RST: On

Remarks: You must be in the EDGE(w/GSM) mode to use this command. Use INSTRument:SElect to set the mode.

### EDGE Output RF Spectrum—Averaging Type for Modulation Spectrum

[ :SENSe ] :EORFspectr :AVERAge :MODulation :TYPE LOG | RMS

[ :SENSe ] :EORFspectr :AVERAge :MODulation :TYPE ?

Select the type of averaging for measuring the modulation spectrum. This is an advanced control that normally does not need to be changed. Setting this to a value other than the factory default, may cause invalid measurement results.

Log - The log of the power is averaged. (This is also known as video averaging.)

RMS - The power is averaged, providing the rms of the voltage.

Factory Preset  
and \*RST: Log power (Video)

Remarks: You must be in the EDGE(w/GSM) mode to use this command. Use INSTRument:SElect to set the mode.

### EDGE Output RF Spectrum—Averaging Control

```
[ :SENSe ] :EORFspectr :AVERAge [ :STATe ] OFF | ON | 0 | 1  
[ :SENSe ] :EORFspectr :AVERAge [ :STATe ] ?
```

Turn averaging on or off.

Factory Preset  
and \*RST: On

Remarks: You must be in the EDGE(w/GSM) mode to use this command. Use INSTRument:SElect to set the mode.

### EDGE Output RF Spectrum—Averaging Type for Switching Transient Spectrum

```
[ :SENSe ] :EORFspectr :AVERAge :SWITChing :TYPE LOG | RMS  
[ :SENSe ] :EORFspectr :AVERAge :SWITChing :TYPE ?
```

Select the type of averaging for measuring the switching transient spectrum. This is an advanced control that normally does not need to be changed. Setting this to a value other than the factory default, may cause invalid measurement results.

Log - The log of the power is averaged. (This is also known as video averaging.)

RMS - The power is averaged, providing the rms of the voltage.

Factory Preset  
and \*RST: Log power (Video)

Remarks: You must be in the EDGE(w/GSM) mode to use this command. Use INSTRument:SElect to set the mode.

### EDGE Output RF Spectrum—Resolution BW for the Modulation Spectrum at the Carrier

```
[ :SENSe ] :EORFspectr :BANDwidth | BWIDth [ :RESolution ]  
:MODulation :CARRier <freq>  
[ :SENSe ] :EORFspectr :BANDwidth | BWIDth [ :RESolution ]  
:MODulation :CARRier ?
```

Selects the resolution bandwidth for measuring the carrier when measuring spectrum due to modulation and wideband noise.

This parameter is only used with the Standard or Short lists, and not with the Custom list.

Factory Preset  
and \*RST: 30 kHz



Range: 1 kHz to 5 MHz  
Default Unit: Hz  
Remarks: You must be in the EDGE(w/GSM) mode to use this command. Use INSTRUMENT:SElect to set the mode.

### **EDGE Output RF Spectrum—Resolution BW For Modulation At Close Offsets**

```
[ :SENSE]:EORFspectr:BANDwidth|BWIDth[:RESolution]  
:MODulation:OFFSet:CLOSe <freq>
```

```
[ :SENSE]:EORFspectr:BANDwidth|BWIDth[:RESolution]  
:MODulation:OFFSet:CLOSe?
```

Set the resolution bandwidth used for the spectrum due to modulation part of the EORF measurement for offset frequencies less than 1800 kHz.

This parameter is only used with the Standard or Short lists, and not with the Custom list.

Factory Preset  
and \*RST: 30 kHz

Range: 1 kHz to 5 MHz

Default Unit: Hz

Remarks: You must be in the EDGE(w/GSM) mode to use this command. Use INSTRUMENT:SElect to set the mode.

### EDGE Output RF Spectrum—Resolution BW for Modulation at Far Offsets

```
[ :SENSe ]:EORFspectr:BANDwidth|BWIDth[:RESolution]  
:MODulation:OFFSet:FAR <freq>
```

```
[ :SENSe ]:EORFspectr:BANDwidth|BWIDth[:RESolution]  
:MODulation:OFFSet:FAR?
```

Set the resolution bandwidth used for the spectrum due to modulation part of the EORF measurement for offset frequencies greater than or equal to 1800 kHz.

This parameter is only used with the Standard or Short lists, and not with the Custom list.

Factory Preset  
and \*RST: 100 kHz

Range: 1 kHz to 5 MHz

Default Unit: Hz

Remarks: You must be in the EDGE(w/GSM) mode to use this command. Use INSTRument:SElect to set the mode.

### EDGE Output RF Spectrum—Resolution BW for the Switching Transient Spectrum at the Carrier

```
[ :SENSe ]:EORFspectr:BANDwidth|BWIDth[:RESolution]  
:SWITching:CARRier <freq>
```

```
[ :SENSe ]:EORFspectr:BANDwidth|BWIDth[:RESolution]  
:SWITching:CARRier?
```

Selects the resolution bandwidth for the carrier when measuring spectrum due to switching transients.

This parameter is only used with the Standard or Short lists, and not with the Custom list.

Factory Preset  
and \*RST: 300 kHz

Range: 1 kHz to 5 MHz

Default Unit: Hz

Remarks: You must be in the EDGE(w/GSM) mode to use this command. Use INSTRument:SElect to set the mode.

### EDGE Output RF Spectrum—Resolution BW For Switching Transients At Close Offsets

```
[ :SENSE]:EORFspectr:BANDwidth|BWIDth[:RESolution]
:SWITching:OFFSet:CLOSe <freq>
```

```
[ :SENSE]:EORFspectr:BANDwidth|BWIDth[:RESolution]
:SWITching:OFFSet:CLOSe?
```

Set the resolution bandwidth used for the spectrum due to switching transients part of the EORF measurement for offset frequencies less than 1800 kHz.

This parameter is only used with the Standard or Short lists, and not with the Custom list.

Factory Preset  
and \*RST: 30 kHz

Range: 1 kHz to 5 MHz

Default Unit: Hz

Remarks: You must be in the EDGE(w/GSM) mode to use this command. Use INSTRument:SElect to set the mode.

### EDGE Output RF Spectrum—Resolution BW For Switching Transients At Far Offsets

```
[ :SENSE]:EORFspectr:BANDwidth|BWIDth[:RESolution]
:SWITching:OFFSet:FAR <freq>
```

```
[ :SENSE]:EORFspectr:BANDwidth|BWIDth[:RESolution]
:SWITching:OFFSet:FAR?
```

Set the resolution bandwidth used for the spectrum due to switching transients part of the EORF measurement for offset frequencies greater than or equal to 1800 kHz.

This parameter is only used with the standard or short lists, and not with the custom list.

Factory Preset  
and \*RST: 30 kHz  
100 kHz

Range: 1 kHz to 5 MHz

Default Unit: Hz

Remarks: You must be in the EDGE(w/GSM) mode to use this command. Use INSTRument:SElect to set the mode.

## EDGE Output RF Spectrum—Break Frequency

```
[ :SENSe ] :EORFspectr:BFRequency <freq>
```

```
[ :SENSe ] :EORFspectr:BFRequency?
```

Set the direct time break frequency. An FFT measurement method is used for offsets below this break frequency. The direct time measurement method is used for offsets above the break frequency. See the Measurement Guide for more information about these two methods.

Factory Preset

and \*RST: 600 kHz

Range: 0 kHz to 775 kHz

Default Unit: Hz

History: Added revision A.04.00 and later

Remarks: You must be in the EDGE(w/GSM) mode to use this command. Use INSTRument:SElect to set the mode.

Front Panel

Access: Meas Setup, Advanced, Direct Time Break Freq

## EDGE Output RF Spectrum—Define Custom Modulation Resolution Bandwidth List

```
[ :SENSe ] :EORFspectr:LIST:MODulation:BANDwidth|BWIDth  
<res bw>{,<res bw>}
```

```
[ :SENSe ] :EORFspectr:LIST:MODulation:BANDwidth|BWIDth?
```

Define the custom set of resolution bandwidths for the modulation spectrum part of the EORF measurement. The first bandwidth specified is for the carrier. Each resolution bandwidth in this list corresponds to an offset frequency in the modulation offset frequency list. The number of items in each of these lists needs to be the same.

Factory Preset

and \*RST: Same as standard list

Range: 1 kHz to 5 MHz

Default Unit: Hz

Remarks: This command is only valid if SENS:EORF:MEAS is set to multiple and the custom list type is selected with SENS:EORF:LIST:SEL CUST.

You must be in the EDGE(w/GSM) mode to use this command. Use INSTRument:SElect to set the mode.

## EDGE Output RF Spectrum—Define Custom Modulation Offset Frequency List

```
[ :SENSE]:EORFspectr:LIST:MODulation[:FREQUENCY]  
<offset freq>{,<offset freq>}
```

```
[ :SENSE]:EORFspectr:LIST:MODulation[:FREQUENCY]?
```

Define the custom set of offset frequencies at which the modulation spectrum part of the EORF measurement will be made. The first offset specified must be 0 Hz for the carrier. For each offset frequency specified, the power will be measured at both the lower and upper offsets. Up to 14 (+ the 0 Hz carrier frequency) offset frequencies may be defined.

Factory Preset

and \*RST: Same as standard list

Range: 10 kHz to 10 MHz

Default Unit: Hz

Remarks: This command is only valid if SENS:EORF:MEAS is set to multiple and the custom list type is selected with SENS:EORF:LIST:SEL CUST.

You must be in the EDGE(w/GSM) mode to use this command. Use INSTRument:SElect to set the mode.

## EDGE Output RF Spectrum—Define Custom Modulation Level Offsets

```
[ :SENSe ]:EORFspectr:LIST:MODulation:LOFFset  
<level>{ ,<level> }
```

```
[ :SENSe ]:EORFspectr:LIST:MODulation:LOFFset?
```

Define the custom set of level offsets for the modulation spectrum part of the EORF measurement. This allows you to modify the standard limits by adding a delta amplitude value to them. The first level offset specified must be 0 dB for the carrier. Each level offset in this list corresponds to an offset frequency in the modulation offset frequency list. The number of items in each of these lists needs to be the same.

**Example:**

```
EORF:LIST:MOD:FREQ 0,300e3,1.3e6,2.0e6
```

Sets custom offset freqs: 300 kHz, 1.3 MHz, 2 MHz

```
EORF:LIST:MOD:BAND 30e3,30e3,30e3,100e3
```

Sets corresponding RBWs: 30 kHz, 30 kHz, 100 kHz

```
EORF:LIST:MOD:loffset 0,-5,3,5
```

Assume the power level of the signal is -43 dBm, then the standard limits for these three offsets are: -42 dBc, -72 dBc, -75 dBc respectively. The loffset command adjusts these limits to: -47 (-42-5) dBc, -70 (-73+3) dBc, -70 (-75+5) dBc.

**Factory Preset**

**and \*RST:** 0 dB level offsets (limits remain the same as the standards)

**Range:** 0 to 50 dB

**Default Unit:** dB

**Remarks:** This command is only valid if SENS:EORF:MEAS is set to multiple and the custom list type is selected with SENS:EORF:LIST:SEL CUST.

You must be in the EDGE(w/GSM) mode to use this command. Use INSTRument:SELEct to set the mode.

**History:** Version A.04.00 and later

## EDGE Output RF Spectrum—Offset Frequency List

```
[ :SENSe]:EORFspectr:LIST:SElect CUSTOM|SHORT|STANDARD
```

```
[ :SENSe]:EORFspectr:LIST:SElect?
```

Select the list of settings that will be used to make the EORF measurement. This specifies standard or customized lists and short lists. The lists contain the offset frequencies (and bandwidths) that are used for the modulation spectrum and transient spectrum parts of the EORF measurement.

Custom - uses the four user-defined lists that specify:

- Offset frequencies for modulation spectrum measurement
- Corresponding resolution bandwidths for each of the modulation offset frequencies
- Offset frequencies for switching transient spectrum measurement
- Corresponding resolution bandwidths for each of the switching transient offset frequencies

Short - a shortened list of the offset frequencies specified in the EDGE Standards. It uses two internal offset frequency lists, one for modulation spectrum and the other for switching transient spectrum. These offset frequencies cannot be changed, but the resolution bandwidths can be changed by other commands in the SENSe:EORFpctr subsystem.

Standard - the complete list of the offset frequencies specified in the EDGE Standards, except for those offsets greater than 6 MHz. It uses two internal offset frequency lists, one for modulation spectrum and the other for switching transient spectrum. These offset frequencies cannot be changed, but the resolution bandwidths can be changed by other commands in the SENSe:EORFpctr subsystem.

Factory Preset

and \*RST: Short

Remarks: This command is only valid if SENS:EORF:MEAS is set to multiple.

If you change the number of custom offsets then the number of offset bandwidths, frequencies and level offsets must also be changed.

You must be in the EDGE(w/GSM) mode to use this command. Use INSTRument:SElect to set the mode.

### EDGE Output RF Spectrum—Define Custom Switching Transient Resolution Bandwidth List

```
[ :SENSe ] :EORFspectr :LIST :SWITChing :BANDwidth | BWIDth  
<res bw> { , <res bw> }
```

```
[ :SENSe ] :EORFspectr :LIST :SWITChing :BANDwidth | BWIDth ?
```

Define the custom set of resolution bandwidths for the switching transient spectrum part of the EORF measurement. The first bandwidth specified is for the carrier. Each resolution bandwidth in this list corresponds to an offset frequency in the switching transient offset frequency list. The number of items in each of these lists needs to be the same.

Factory Preset

and \*RST: Same as standard list

Range: 1 kHz to 5 MHz

Default Unit: Hz

Remarks: This command is only valid if SENS:EORF:MEAS is set to multiple and the custom list type is selected with SENS:EORF:LIST:SEL CUST.

You must be in EDGE(w/GSM) mode to use this command. Use INSTRument:SElect to set the mode.

### EDGE Output RF Spectrum—Define Custom Switching Transient Offset Frequency List

```
[ :SENSe ] :EORFspectr :LIST :SWITChing [ :FREQuency ]  
<offset freq> { , <offset freq> }
```

```
[ :SENSe ] :EORFspectr :LIST :SWITChing [ :FREQuency ] ?
```

Define the custom set of offset frequencies at which the switching transient spectrum part of the EORF measurement will be made. The first offset specified must be 0 Hz, for the carrier. For each offset frequency specified, the power will be measured at both the lower and upper offsets. Up to 14 (+ the 0 Hz carrier frequency) offset frequencies may be defined.

Factory Preset

and \*RST: Same as standard list

Range: 10 kHz to 10 MHz

Default Unit: Hz



Remarks: This command is only valid if SENS:EORF:MEAS is set to multiple and the custom list type is selected with SENS:EORF:LIST:SEL CUST.

You must be in the EDGE(w/GSM) mode to use this command. Use INSTRument:SElect to set the mode.

### EDGE Output RF Spectrum—Define Custom Switching Transient Level Offsets

```
[ :SENSe ] :EORFspectr :LIST :SWITching :LOFFset  
<level> { , <level> }
```

```
[ :SENSe ] :EORFspectr :LIST :SWITching :LOFFset?
```

Define the custom set of level offsets for the switching transient spectrum part of the EORF measurement. This allows you to modify the standard limits by adding a delta amplitude value to them. The first level offset specified must be 0 dB for the carrier. Each level offset in this list corresponds to an offset frequency in the modulation offset frequency list. The number of items in each of these lists needs to be the same.

Example: See the EORF:LIST:MOD:LOFF example above.

Factory Preset and \*RST: 0 dB level offsets (limits remain the same as the standards)

Range: 0 to 50 dB

Default Unit: dB

Remarks: This command is only valid if SENS:EORF:MEAS is set to multiple and the custom list type is selected with SENS:EORF:LIST:SEL CUST.

You must be in EDGE(w/GSM) mode to use this command. Use INSTRument:SElect to set the mode.

History: Version A.04.00 and later

## EDGE Output RF Spectrum—Measure Offsets Measurement Method

```
[ :SENSe ] :EORFspectr:MEASure MULTiple|SINGLE
```

```
[ :SENSe ] :EORFspectr:MEASure?
```

Select the measurement method to be used.

Multiple - the measurement is done at all offsets in the offset frequency list.

Single - the measurement is done at only one offset as determined by the offset frequency setting. This allows detailed examination of the time-domain waveform at the specified offset frequency.

Factory Preset

and \*RST: Multiple

Remarks: You must be in the EDGE(w/GSM) mode to use this command. Use INSTRument:SElect to set the mode.

## EDGE Output RF Spectrum—Offset Frequency

```
[ :SENSe ] :EORFspectr:OFrequency <freq>
```

```
[ :SENSe ] :EORFspectr:OFrequency?
```

Set the offset frequency that is used to measure a single offset. This command is only valid if SENS:EORF:MEAS is set to single.

Factory Preset

and \*RST: 250 kHz

Range: -12.0 MHz to +12.0 MHz, step size: steps through the values in the selected offset frequency list.

Default Unit: Hz

Remarks: You must be in the EDGE(w/GSM) mode to use this command. Use INSTRument:SElect to set the mode.

## EDGE Output RF Spectrum—Measurement Type

[ :SENSE ] :EORFspectr:TYPE MODulation|MSwitching|SWITChing

[ :SENSE ] :EORFspectr:TYPE?

Select the measurement type.

Modulation - only the modulation spectrum is measured.

Modulation & Switching - both modulation and switching transient spectrums are measured.

Switching - only the switching transient spectrum is measured.

Factory Preset

and \*RST: Modulation

Remarks: You must be in the EDGE(w/GSM) mode to use this command. Use INSTRument:SElect to set the mode.

## EDGE Power vs. Time (Burst Power) Measurement

Commands for querying the power versus time measurement results and for setting to the default values are found in the [“MEASure Group of Commands”](#). The equivalent front panel keys for the parameters described in the following commands, are found under the **Meas Setup** key, after the **EDGE PvT** measurement has been selected from the **MEASURE** key menu.

History: EPVT measurement added version A.04.00 and later.

## EDGE Power vs. Time—Number of Bursts Averaged

[ :SENSE ] :EPVTime:AVERAge:COUNT <integer>

[ :SENSE ] :EPVTime:AVERAge:COUNT?

Set the number of bursts that will be averaged. After the specified number of bursts (average counts), the averaging mode (terminal control) setting determines the averaging action.

Factory Preset

and \*RST: 10

Range: 1 to 10,000

Remarks: You must be in the EDGE(w/GSM) mode to use this command. Use INSTRument:SElect to set the mode.

### EDGE Power vs. Time—Averaging State

```
[ :SENSe ]:EPVTime:AVERAge[ :STATe] OFF|ON|0|1
```

```
[ :SENSe ]:EPVTime:AVERAge[ :STATe]?
```

Turn averaging on or off.

Factory Preset  
and \*RST: Off

Remarks: You must be in the EDGE(w/GSM) mode to use this command. Use INSTRument:SELEct to set the mode.

### EDGE Power vs. Time—Averaging Mode

```
[ :SENSe ]:EPVTime:AVERAge:TCONTRol EXPONential|REPeat
```

```
[ :SENSe ]:EPVTime:AVERAge:TCONTRol?
```

Select the type of termination control used for the averaging function. This specifies the averaging action after the specified number of bursts (average count) is reached.

Exponential - Each successive data acquisition after the average count is reached is exponentially weighted and combined with the existing average.

Repeat - After reaching the average count, the averaging is reset and a new average is started.

Factory Preset  
and \*RST: Exponential

Remarks: You must be in the EDGE(w/GSM) mode to use this command. Use INSTRument:SELEct to set the mode.

### EDGE Power vs. Time—Averaging Type

```
[ :SENSe ]:EPVTime:AVERAge:TYPE  
LOG|MAXimum|MINimum|MXMinimum|RMS
```

```
[ :SENSe ]:EPVTime:AVERAge:TYPE?
```

Select the type of averaging to be performed.

Log - The log of the power is averaged. (This is also known as video averaging.)

Maximum - The maximum values are retained.

Minimum - The minimum values are retained.

MXMinimum - Both the maximum and the minimum values are retained.

RMS - The power is averaged, providing the rms of the voltage.

Factory Preset  
and \*RST: RMS

Remarks: You must be in the EDGE(w/GSM) mode to use this command. Use INSTRUMENT:SElect to set the mode.

### EDGE Power vs. Time—Resolution BW

```
[ :SENSE]:EPVTime:BANDwidth|BWIDth[:RESolution] <freq>
```

```
[ :SENSE]:EPVTime:BANDwidth|BWIDth[:RESolution]?
```

Set the resolution BW. This is an advanced control that normally does not need to be changed. Setting this to a value other than the factory default, may cause invalid measurement results.

Factory Preset  
and \*RST: 500 kHz

Range: 1 kHz to 5 MHz

Default Unit: Hz

Remarks: You must be in the EDGE(w/GSM) mode to use this command. Use INSTRUMENT:SElect to set the mode.

### EDGE Power vs. Time—RBW Filter Type

```
[ :SENSE]:EPVTime:BANDwidth|BWIDth[:RESolution]:TYPE  
FLATtop|GAUSSian
```

```
[ :SENSE]:EPVTime:BANDwidth|BWIDth[:RESolution]:TYPE?
```

Select the type of resolution BW filter. This is an advanced control that normally does not need to be changed. Setting this to a value other than the factory default, may cause invalid measurement results.

Flattop - a filter with a flat amplitude response, which provides the best amplitude accuracy.

Gaussian - a filter with Gaussian characteristics, which provides the best pulse response.

Factory Preset  
and \*RST: Gaussian

Remarks: You must be in the EDGE(w/GSM) mode to use this command. Use INSTRUMENT:SElect to set the mode.

### EDGE Power vs. Time—Burst Synchronization Source

```
[ :SENSe ] :EPVTime:BSYNc:SOURce RFBurst | TSEquence
```

```
[ :SENSe ] :EPVTime:BSYNc:SOURce?
```

Select the method of synchronizing the measurement to the EDGE bursts.

RF Burst - the RF burst sync approximates the start and stop of the useful part of the burst without digital demodulation of the burst.

TSEquence - the training sequence burst sync performs a demodulation of the burst and determines the start and stop of the useful part of the burst based on the midamble training sequence.

Factory Preset

and \*RST: TSEquence

Remarks: You must be in the EDGE(w/GSM) mode to use this command. Use INSTRument:SElect to set the mode.

### EDGE Power vs. Time—Lower Mask Absolute Amplitude Levels

```
[ :SENSe ] :EPVTime:MASK:LIST:LOWer:ABSolute <power> { , <power> }
```

```
[ :SENSe ] :EPVTime:MASK:LIST:LOWer:ABSolute?
```

Enter the absolute power level for any of your mask line segments that require absolute limits in addition to their relative limits. Normally, your defined relative mask values are used as the limits for testing. If the power of the reference level is decreased, all of these relative mask power levels will decrease by the same amount until they reach a defined minimum absolute power. That minimum absolute power will be used as the test limit. For each segment, that power will either be the default value, or the value you set using this command.

Any portion of the signal that has no limit line segment defined for it, will default its to a very low limit (-200 dBm). Because of this, all data in that undefined area will pass the test.

Factory Preset

and \*RST: Selected EDGE standard

Range: -200 dBm to +100 dBm

Default Unit: dBm

Remarks: You need power values for each of the defined time points. You must put a comma in the SCPI command as a place holder for any points where an absolute power is not specified.

You must be in EDGE(w/GSM) mode to use this command. Use INSTRument:SElect to set the mode.

### EDGE Power vs. Time—Lower Mask Points

`[ :SENSE ] :EPVTime:MASK:LIST:LOWER:POINTS?`

Query the number of elements in the lower mask. This value is determined by the number of time points entered using

`[ :SENSE ] :EPVTime:MASK:LIST:LOWER:TIME.`

Range: integer, 1 to 25

Remarks: You must be in EDGE(w/GSM) mode to use this command. Use INSTRUMENT:SElect to set the mode.

### EDGE Power vs. Time—Lower Mask Relative Amplitude Levels

`[ :SENSE ] :EPVTime:MASK:LIST:LOWER:RELative  
<rel_power>{ ,<rel_power> }`

`[ :SENSE ] :EPVTime:MASK:LIST:LOWER:RELative?`

Enter the relative power level for each of the horizontal line segments in the lower limit mask. There should be a power level for each time point entered using the

`[ :SENSE ] :EPVTime:MASK:LIST:LOWER:TIME` command. These power levels are all relative to the defined Reference Power Level (the average power in the useful part of the data).

Any portion of the signal that has no limit line segment defined for it, will default to a very low limit (–100 dB relative to the reference power). This will keep the measurement from indicating a failure for that portion of the data.

Factory Preset  
and \*RST: Selected EDGE standard

Range: +200 dB to –100 dB, relative to the reference power

Default Unit: dB

Remarks: You must be in EDGE(w/GSM) mode to use this command. Use INSTRUMENT:SElect to set the mode.

### EDGE Power vs. Time—Lower Mask Time Points

`[ :SENSE ] :EPVTime:MASK:LIST:LOWER:TIME <seconds>{ ,<seconds> }`

`[ :SENSE ] :EPVTime:MASK:LIST:LOWER:TIME?`

Enter the time intervals for the horizontal line segments that define the lower limit mask. All the line segments begin at the time =  $t_0$  reference point at the center of the useful data (usually the center of the burst).

For example, all the mask line segments to the right of  $t_0$  will have positive time values that get successively larger, while those to the left get successively more negative. See [Figure 1-3 on page 129](#).

We recommend that you select a large time value for your first and last mask points (e.g. -1 and +1 second). This guarantees that you've defined a limit for all the measured data.

Factory Preset

and \*RST: Selected EDGE standard

Range: -1s to +1s, referenced to  $t_0$  at the center of the useful data (burst center)

1 to 25 time points in a mask

Default Unit: seconds

Remarks: You must be in the EDGE(w/GSM) mode to use this command. Use INSTRument:SElect to set the mode.

### EDGE Power vs. Time—Custom Limit Masks

```
[ :SENSe ] :EPVTime:MASK:SElect STANDARD|CUSTom
```

```
[ :SENSe ] :EPVTime:MASK:SElect?
```

Select standard masks or user-defined custom masks to compare you measured data against.

Factory Preset

and \*RST: Standard

Remarks: You must be in EDGE(w/GSM) mode to use this command. Use INSTRument:SElect to set the mode.



### EDGE Power vs. Time—Upper Mask Absolute Amplitude Levels

```
[ :SENSe ] :EPVTime:MASK:LIST:UPPer:ABSolute <power>{ ,<power>}
[ :SENSe ] :EPVTime:MASK:LIST:UPPer:ABSolute?
```

Enter the absolute power level for any of your mask line segments that require absolute limits in addition to their relative limits. Normally, your defined relative mask values are used as the limits for testing. If the power of the reference level is increased, all of the relative mask power levels will increase by the same amount until they reach a defined maximum absolute power. That maximum absolute power will be used as the test limit. For each segment, that power will either be the default value, or the value you set using this command. See [Figure 1-3 on page 129](#).

Any portion of the signal that has no limit line segment defined for it, will default its to a very high limit (100 dBm). Because of this, all data in that undefined area will pass the test.

Factory Preset

and \*RST: Selected EDGE standard

Range: –200 dBm to +100 dBm

Default Unit: dBm

Remarks: You need power values for each of the defined time points. You must put a comma in the SCPI command as a place holder for any points where an absolute power is not specified.

You must be in EDGE(w/GSM) mode to use this command. Use INSTRument:SElect to set the mode.

### EDGE Power vs. Time—Upper Mask Points

```
[ :SENSe ] :EPVTime:MASK:LIST:UPPer:POINTs?
```

Query the number of elements in the upper mask. This value is determined by the number of time points entered using

```
[ :SENSe ] :EPVTime:MASK:LIST:UPPer:TIME.
```

Range: integer, 1 to 25

Remarks: You must be in EDGE(w/GSM) mode to use this command. Use INSTRument:SElect to set the mode.

### EDGE Power vs. Time—Upper Mask Relative Amplitude Levels

```
[ :SENSe ] :EPVTime:MASK:LIST:UPPer:RELative  
<rel_power>{ ,<rel_power> }
```

```
[ :SENSe ] :EPVTime:MASK:LIST:UPPer:RELative?
```

Enter the relative power level for each of the horizontal line segments in the upper limit mask. There should be a power level for each time point entered using [ :SENSe ] :EPVTime:MASK:LIST:UPPer:TIME. These power levels are all relative to the defined Reference Power Level (the average power in the useful part of the data). See [Figure 1-3 on page 129](#).

Factory Preset

and \*RST: Selected EDGE standard

Range: 200 dB to –100 dB, relative to the reference power

Default Unit: dB

Remarks: You must be in EDGE(w/GSM) mode to use this command. Use INSTRument:SElect to set the mode.

### EDGE Power vs. Time—Upper Mask Time Points

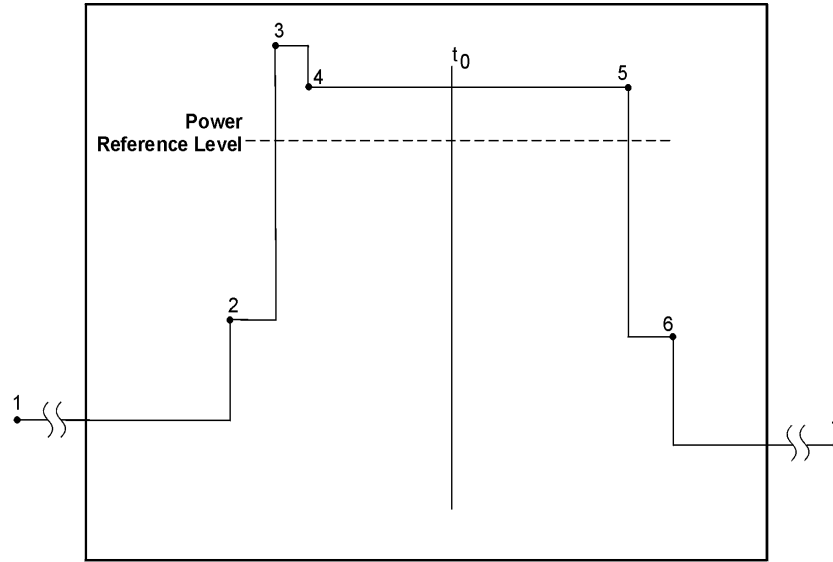
```
[ :SENSe ] :EPVTime:MASK:LIST:UPPer:TIME <seconds>{ ,<seconds> }
```

```
[ :SENSe ] :EPVTime:MASK:LIST:UPPer:TIME?
```

Enter the time intervals for the horizontal line segments that define the upper limit mask. All the line segments begin at the time =  $t_0$  reference point at the center of the useful data (usually the center of the burst). For example, all the mask line segments to the right of  $t_0$  will have positive time values that get successively larger, while those to the left get successively more negative.

We recommend that you select a large time value for your first and last mask points (e.g. –1 and +1 second). This guarantees that you've defined a limit for all the measured data.

**Figure 1-2 Custom Upper Limit Mask Example**



ca819a

Mask Segment	Selected Time Value	Selected Relative Power (with Ref Level = -12 dBm)		Selected Absolute Power	Segment Position on Screen
		Selected Power	Equivalent Absolute Power		
1	-1 sec	-43 dB	-55 dBm	-68 dBm	-55
2	-300 $\mu$ s	-25 dB	-37 dBm		-37
3	-280 $\mu$ s	7 dB	-5 dBm	0 dBm <sup>a</sup>	0 <sup>a</sup>
4	-270 $\mu$ s	4 dB	-8 dBm		-8
5	280 $\mu$ s	4 dB	-8 dBm		-8
6	295 $\mu$ s	-32 dB	-44 dBm		-44
7	1 sec	-48 dB	-60 dBm	-68 dBm	-60

a. The zero value was selected because the absolute power specifies the lowest allowed value of the mask, in this case 0 dBm.

Example: `EPVT:mask:list:upper:time -1, -300e-6, -280e-6, -270e-6, 280e-6, 295e-6, 1`

Factory Preset and \*RST: Selected EDGE standard

Range: -1s to +1s, referenced to  $t_0$  at the center of the useful data (burst center)  
1 to 25 time points in a mask

Default Unit: seconds

Remarks: You must be in the EDGE(w/GSM) mode to use this command. Use INSTRument:SElect to set the mode.

### EDGE Power vs. Time—Sweep Time

`[ :SENSe ]:EPVTime:SWEep:TIME <integer>`

`[ :SENSe ]:EPVTime:SWEep:TIME?`

Set the number of slots which are used in each data acquisition. Each slot is approximately equal to 570 ms. The measurement is made for a small additional amount of time (about 130  $\mu$ s) in order to view the burst edges.

Factory Preset and \*RST: 1

Range: 1 to 50 (for resolution BW = 500 kHz)

Remarks: You must be in the EDGE(w/GSM) mode to use this command. Use INSTRument:SElect to set the mode.

## EDGE Power vs. Time—Trigger Source

```
[ :SENSE]:EPVTime:TRIGger:SOURce EXTERNAL[1] | EXTERNAL2  
| FRAME | IF | IMMEDIATE | RFBURST
```

```
[ :SENSE]:EPVTime:TRIGger:SOURce?
```

Select the trigger source used to control the data acquisitions.

External 1 - front panel external trigger input

External 2 - rear panel external trigger input

Frame - uses the internal frame timer, which has been synchronized to the selected burst sync.

IF - internal IF envelope (video) trigger

Immediate - the next data acquisition is immediately taken, capturing the signal asynchronously (also called Free Run).

RF Burst - wideband RF burst envelope trigger that has automatic level control for periodic burst signals.

Factory Preset

and \*RST: RF burst

Remarks: You must be in the EDGE(w/GSM) mode to use this command. Use INSTRUMENT:SELEct to set the mode.

## Output RF Spectrum Measurement

Commands for querying the output RF spectrum measurement results and for setting to the default values are found in the “[MEASure Group of Commands](#)”. The equivalent front panel keys for the parameters described in the following commands, are found under the **Meas Setup** key, after the **Output RF Spectrum** measurement has been selected from the **MEASURE** key menu.

### Output RF Spectrum—Number of Bursts Averaged

```
[ :SENSe ] :ORFSpectrum:AVERAge:COUNT <integer>
```

```
[ :SENSe ] :ORFSpectrum:AVERAge:COUNT?
```

Set the number of bursts that will be averaged. For the output RF spectrum due to switching transients, it is more accurate to consider this the number of frames that are measured. After the specified number of bursts (average counts), the averaging mode (terminal control) setting determines the averaging action.

Factory Preset  
and \*RST: 20

Range: 1 to 10,000

Remarks: You must be in the EDGE(w/GSM), GSM mode to use this command. Use INSTRument:SElect to set the mode.

### Output RF Spectrum—Fast Averaging

```
[ :SENSe ] :ORFSpectrum:AVERAge:FAST[ :STATe ] OFF | ON | 0 | 1
```

```
[ :SENSe ] :ORFSpectrum:AVERAge:FAST[ :STATe ]?
```

Make the measurement faster by using an averaging technique different from that defined by the standard. A valid average can be obtained by measuring the power in half the normal number of bursts by using 50% - 90% of the burst, 10% - 50% of the burst and excluding the midamble.

This faster averaging is only done when averaging is on and only the modulation results are being measured. If both modulation and switching transients results are being measured, then the measurement uses the default averaging.

Factory Preset  
and \*RST: On

Remarks: You must be in the EDGE(w/GSM), GSM mode to use this command. Use INSTRument:SElect to set the mode.

## Output RF Spectrum—Averaging Type for Modulation Spectrum

```
[ :SENSE]:ORFSpectrum:AVERage:MODulation:TYPE LOG|RMS
```

```
[ :SENSE]:ORFSpectrum:AVERage:MODulation:TYPE?
```

Select the type of averaging for measuring the modulation spectrum. This is an advanced control that normally does not need to be changed. Setting this to a value other than the factory default, may cause invalid measurement results.

Log - The log of the power is averaged. (This is also known as video averaging.)

RMS - The power is averaged, providing the rms of the voltage.

Factory Preset  
and \*RST:      Log power (Video)

Remarks:      You must be in the EDGE(w/GSM), GSM mode to use this command. Use INSTRUMENT:SElect to set the mode.

## Output RF Spectrum—Averaging Control

```
[ :SENSE]:ORFSpectrum:AVERage[ :STATe] OFF|ON|0|1
```

```
[ :SENSE]:ORFSpectrum:AVERage[ :STATe]?
```

Turn averaging on or off.

Factory Preset  
and \*RST:      On

Remarks:      You must be in the EDGE(w/GSM), GSM mode to use this command. Use INSTRUMENT:SElect to set the mode.

## Output RF Spectrum—Averaging Type for Switching Transient Spectrum

```
[ :SENSe ] :ORFSpectrum:AVERAge:SWITching:TYPE LOG|RMS
```

```
[ :SENSe ] :ORFSpectrum:AVERAge:SWITching:TYPE?
```

Select the type of averaging for measuring the switching transient spectrum. This is an advanced control that normally does not need to be changed. Setting this to a value other than the factory default, may cause invalid measurement results.

Log - The log of the power is averaged. (This is also known as video averaging.)

RMS - The power is averaged, providing the rms of the voltage.

Factory Preset

and \*RST:      Log power (Video)

Remarks:      You must be in the GSM, EDGE(w/GSM) mode to use this command. Use INSTRument:SElect to set the mode.

## Output RF Spectrum—Resolution BW for the Modulation Spectrum at the Carrier

```
[ :SENSe ] :ORFSpectrum:BANDwidth|BWIDth[ :RESolution ] :MODulation:CARRier <freq>
```

```
[ :SENSe ] :ORFSpectrum:BANDwidth|BWIDth[ :RESolution ] :MODulation:CARRier?
```

Selects the resolution bandwidth for measuring the carrier when measuring spectrum due to modulation and wideband noise.

This parameter is only used with the Standard or Short lists, and not with the Custom list.

Factory Preset

and \*RST:      30 kHz

Range:          1 kHz to 5 MHz

Default Unit:   Hz

Remarks:      You must be in the EDGE(w/GSM), GSM mode to use this command. Use INSTRument:SElect to set the mode.



### Output RF Spectrum—Resolution BW For Modulation At Close Offsets

```
[ :SENSE]:ORFSpectrum:BANDwidth|BWIDth[:RESolution]
:MODulation:OFFSet:CLOSe <freq>
```

```
[ :SENSE]:ORFSpectrum:BANDwidth|BWIDth[:RESolution]
:MODulation:OFFSet:CLOSe?
```

Set the resolution bandwidth used for the spectrum due to modulation part of the ORFS measurement for offset frequencies less than 1800 kHz.

This parameter is only used with the Standard or Short lists, and not with the Custom list.

Factory Preset  
and \*RST: 30 kHz

Range: 1 kHz to 5 MHz

Default Unit: Hz

Remarks: You must be in the EDGE(w/GSM), GSM mode to use this command. Use INSTRUMENT:SElect to set the mode.

### Output RF Spectrum—Resolution BW for Modulation at Far Offsets

```
[ :SENSE]:ORFSpectrum:BANDwidth|BWIDth[:RESolution]
:MODulation:OFFSet:FAR <freq>
```

```
[ :SENSE]:ORFSpectrum:BANDwidth|BWIDth[:RESolution]
:MODulation:OFFSet:FAR?
```

Set the resolution bandwidth used for the spectrum due to modulation part of the ORFS measurement for offset frequencies greater than or equal to 1800 kHz.

This parameter is only used with the Standard or Short lists, and not with the Custom list.

Factory Preset  
and \*RST: 100 kHz

Range: 1 kHz to 5 MHz

Default Unit: Hz

Remarks: You must be in the EDGE(w/GSM), GSM mode to use this command. Use INSTRUMENT:SElect to set the mode.

### Output RF Spectrum—Resolution BW for the Switching Transient Spectrum at the Carrier

```
[ :SENSe ]:ORFSpectrum:BANDwidth|BWIDth[:RESolution]  
:SWITching:CARRier <freq>
```

```
[ :SENSe ]:ORFSpectrum:BANDwidth|BWIDth[:RESolution]  
:SWITching:CARRier?
```

Selects the resolution bandwidth for the carrier when measuring spectrum due to switching transients.

This parameter is only used with the Standard or Short lists, and not with the Custom list.

Factory Preset  
and \*RST: 300 kHz

Range: 1 kHz to 5 MHz

Default Unit: Hz

Remarks: You must be in the EDGE(w/GSM), GSM mode to use this command. Use INSTRument:SElect to set the mode.

### Output RF Spectrum—Resolution BW For Switching Transients At Close Offsets

```
[ :SENSe ]:ORFSpectrum:BANDwidth|BWIDth[:RESolution]  
:SWITching:OFFSet:CLOSe <freq>
```

```
[ :SENSe ]:ORFSpectrum:BANDwidth|BWIDth[:RESolution]  
:SWITching:OFFSet:CLOSe?
```

Set the resolution bandwidth used for the spectrum due to switching transients part of the ORFS measurement for offset frequencies less than 1800 kHz.

This parameter is only used with the Standard or Short lists, and not with the Custom list.

Factory Preset  
and \*RST: 30 kHz

Range: 1 kHz to 5 MHz

Default Unit: Hz

Remarks: You must be in the EDGE(w/GSM), GSM mode to use this command. Use INSTRument:SElect to set the mode.

### Output RF Spectrum—Resolution BW For Switching Transients At Far Offsets

```
[ :SENSe]:ORFSpectrum:BANDwidth|BWIDth[:RESolution]
:SWITChing:OFFSet:FAR <freq>
```

```
[ :SENSe]:ORFSpectrum:BANDwidth|BWIDth[:RESolution]
:SWITChing:OFFSet:FAR?
```

Set the resolution bandwidth used for the spectrum due to switching transients part of the ORFS measurement for offset frequencies greater than or equal to 1800 kHz.

This parameter is only used with the standard or short lists, and not with the custom list.

Factory Preset

and \*RST: 30 kHz

Range: 1 kHz to 5 MHz

Default Unit: Hz

Remarks: You must be in the EDGE(w/GSM), GSM mode to use this command. Use INSTRument:SElect to set the mode.

### Output RF Spectrum—Break Frequency

```
[ :SENSe]:ORFSpectrum:BFrequency <freq>
```

```
[ :SENSe]:ORFSpectrum:BFrequency?
```

Set the direct time break frequency. An FFT measurement method is used for offsets below this break frequency. The direct time measurement method is used for offsets above the break frequency. See the Measurement Guide for more information about these two methods.

Factory Preset

and \*RST: 600 kHz

Range: 0 kHz to 775 kHz

Default Unit: Hz

History: Added revision A.04.00 and later

Remarks: You must be in the EDGE(w/GSM), GSM mode to use this command. Use INSTRument:SElect to set the mode.

Front Panel

Access: Meas Setup, Advanced, Direct Time Break Freq

## Output RF Spectrum—Define Custom Modulation Resolution Bandwidth List

```
[[:SENSe]:ORFSpectrum:LIST:MODulation:BANDwidth|BWIDth  
<res bw>{,<res bw>}
```

```
[[:SENSe]:ORFSpectrum:LIST:MODulation:BANDwidth|BWIDth?
```

Define the custom set of resolution bandwidths for the modulation spectrum part of the ORFS measurement. The first bandwidth specified is for the carrier. Each resolution bandwidth in this list corresponds to an offset frequency in the modulation offset frequency list. The number of items in each of these lists needs to be the same.

Factory Preset

and \*RST: Same as standard list

Range: 1 kHz to 5 MHz

Default Unit: Hz

Remarks: This command is only valid if SENS:ORFS:MEAS is set to multiple and the custom list type is selected with SENS:ORFS:LIST:SEL CUST.

You must be in the EDGE(w/GSM), GSM mode to use this command. Use INSTRUMENT:SElect to set the mode.

## Output RF Spectrum—Define Custom Modulation Offset Frequency List

```
[[:SENSe]:ORFSpectrum:LIST:MODulation[:FREQUENCY]  
<offset freq>{,<offset freq>}
```

```
[[:SENSe]:ORFSpectrum:LIST:MODulation[:FREQUENCY]?
```

Define the custom set of offset frequencies at which the modulation spectrum part of the ORFS measurement will be made. The first offset specified must be 0 Hz for the carrier. For each offset frequency specified, the power will be measured at both the lower and upper offsets. Up to 14 (+ the 0 Hz carrier frequency) offset frequencies may be defined.

Factory Preset

and \*RST: Same as standard list

Range: 10 kHz to 10 MHz

Default Unit: Hz

Remarks: This command is only valid if SENS:ORFS:MEAS is set to multiple and the custom list type is selected with SENS:ORFS:LIST:SEL CUST.

You must be in the EDGE(w/GSM), GSM mode to use this command. Use INSTRument:SElect to set the mode.

### Output RF Spectrum—Define Custom Modulation Level Offsets

```
[ :SENSe]:ORFSpectrum:LIST:MODulation:LOFFset
<level>{,<level>}
```

```
[ :SENSe]:ORFSpectrum:LIST:MODulation:LOFFset?
```

Define the custom set of level offsets for the modulation spectrum part of the ORFS measurement. This allows you to modify the standard limits by adding a delta amplitude value to them. The first level offset specified must be 0 dB for the carrier. Each level offset in this list corresponds to an offset frequency in the modulation offset frequency list. The number of items in each of these lists needs to be the same.

**Example:**      `ORFS:LIST:MOD:FREQ 0,300e3,1.3e6,2.0e6`  
                   Sets custom offset freqs: 300 kHz, 1.3 MHz, 2 MHz

`ORFS:LIST:MOD:BAND 30e3,30e3,30e3,100e3`  
                   Sets corresponding RBWs: 30 kHz, 30 kHz, 100 kHz

`ORFS:LIST:MOD:loffset 0,-5,3,5`  
                   Assume the power level of the signal is -43 dBm, then the standard limits for these three offsets are: -42 dBc, -72 dBc, -75 dBc respectively. The loffset command adjusts these limits to: -47 (-42-5) dBc, -70 (-73+3) dBc, -70 (-75+5) dBc.

**Factory Preset and \*RST:**    0 dB level offsets (limits remain the same as the standards)

**Range:**            0 to 50 dB

**Default Unit:**    dB

**Remarks:**        This command is only valid if SENS:ORFS:MEAS is set to multiple and the custom list type is selected with SENS:ORFS:LIST:SEL CUST.

You must be in the EDGE(w/GSM), GSM mode to use this command. Use INSTRument:SElect to set the mode.

**History:**            Version A.03.00 or later

## Output RF Spectrum—Offset Frequency List

```
[ :SENSe ] :ORFSpectrum:LIST:SElect CUSTOM|SHORT|STANDARD
```

```
[ :SENSe ] :ORFSpectrum:LIST:SElect?
```

Select the list of settings that will be used to make the ORFS measurement. This specifies standard or customized lists and short lists. The lists contain the offset frequencies (and bandwidths) that are used for the modulation spectrum and transient spectrum parts of the ORFS measurement.

Custom - uses the four user-defined lists that specify:

- Offset frequencies for modulation spectrum measurement
- Corresponding resolution bandwidths for each of the modulation offset frequencies
- Offset frequencies for switching transient spectrum measurement
- Corresponding resolution bandwidths for each of the switching transient offset frequencies

Short - a shortened list of the offset frequencies specified in the GSM Standards. It uses two internal offset frequency lists, one for modulation spectrum and the other for switching transient spectrum. These offset frequencies cannot be changed, but the resolution bandwidths can be changed by other commands in the SENSe:ORFSpectrum subsystem.

Standard - the complete list of the offset frequencies specified in the GSM Standards, except for those offsets greater than 6 MHz. It uses two internal offset frequency lists, one for modulation spectrum and the other for switching transient spectrum. These offset frequencies cannot be changed, but the resolution bandwidths can be changed by other commands in the SENSe:ORFSpectrum subsystem.

Factory Preset

and \*RST: Short

Remarks: This command is only valid if SENS:ORFS:MEAS is set to multiple.

If you change the number of custom offsets then the number of offset bandwidths, frequencies and level offsets must also be changed.

You must be in the EDGE(w/GSM), GSM mode to use this command. Use INSTRUMENT:SElect to set the mode.

## Output RF Spectrum—Define Custom Switching Transient Resolution Bandwidth List

```
[ :SENSe]:ORFSpectrum:LIST:SWITChing:BANDwidth|BWIDth
<res bw>{,<res bw>}
```

```
[ :SENSe]:ORFSpectrum:LIST:SWITChing:BANDwidth|BWIDth?
```

Define the custom set of resolution bandwidths for the switching transient spectrum part of the ORFS measurement. The first bandwidth specified is for the carrier. Each resolution bandwidth in this list corresponds to an offset frequency in the switching transient offset frequency list. The number of items in each of these lists needs to be the same.

Factory Preset

and \*RST: Same as standard list

Range: 1 kHz to 5 MHz

Default Unit: Hz

Remarks: This command is only valid if SENS:ORFS:MEAS is set to multiple and the custom list type is selected with SENS:ORFS:LIST:SEL CUST.

You must be in EDGE(w/GSM), GSM mode to use this command. Use INSTRument:SElect to set the mode.

## Output RF Spectrum—Define Custom Switching Transient Offset Frequency List

```
[ :SENSe]:ORFSpectrum:LIST:SWITChing[:FREQuency]  
<offset freq>{,<offset freq>}
```

```
[ :SENSe]:ORFSpectrum:LIST:SWITChing[:FREQuency]?
```

Define the custom set of offset frequencies at which the switching transient spectrum part of the ORFS measurement will be made. The first offset specified must be 0 Hz, for the carrier. For each offset frequency specified, the power will be measured at both the lower and upper offsets. Up to 14 (+ the 0 Hz carrier frequency) offset frequencies may be defined.

Factory Preset

and \*RST: Same as standard list

Range: 10 kHz to 10 MHz

Default Unit: Hz

Remarks: This command is only valid if SENS:ORFS:MEAS is set to multiple and the custom list type is selected with SENS:ORFS:LIST:SEL CUST.

You must be in the EDGE(w/GSM), GSM mode to use this command. Use INSTRument:SElect to set the mode.



## Output RF Spectrum—Define Custom Switching Transient Level Offsets

```
[ :SENSe]:ORFSpectrum:LIST:SWITching:LOFFset
<level>{,<level>}
```

```
[ :SENSe]:ORFSpectrum:LIST:SWITching:LOFFset?
```

Define the custom set of level offsets for the switching transient spectrum part of the ORFS measurement. This allows you to modify the standard limits by adding a delta amplitude value to them. The first level offset specified must be 0 dB for the carrier. Each level offset in this list corresponds to an offset frequency in the modulation offset frequency list. The number of items in each of these lists needs to be the same.

Example: See the ORFS:LIST:MOD:LOFF example above.

Factory Preset  
and \*RST: 0 dB level offsets (limits remain the same as the standards)

Range: 0 to 50 dB

Default Unit: dB

Remarks: This command is only valid if SENS:ORFS:MEAS is set to multiple and the custom list type is selected with SENS:ORFS:LIST:SEL CUST.

You must be in EDGE(w/GSM), GSM mode to use this command. Use INSTRument:SElect to set the mode.

History: Version A.03.00 or later

## Output RF Spectrum—Measure Offsets Measurement Method

```
[ :SENSe]:ORFSpectrum:MEASure MULTiple|SINGLE
```

```
[ :SENSe]:ORFSpectrum:MEASure?
```

Select the measurement method to be used.

Multiple - the measurement is done at all offsets in the offset frequency list.

Single - the measurement is done at only one offset as determined by the offset frequency setting. This allows detailed examination of the time-domain waveform at the specified offset frequency.

Factory Preset  
and \*RST: Multiple

Remarks: You must be in the EDGE(w/GSM), GSM mode to use this command. Use INSTRument:SElect to set the

mode.

### Output RF Spectrum—Offset Frequency

```
[ :SENSe ] :ORFSpectrum:OFRequency <freq>
```

```
[ :SENSe ] :ORFSpectrum:OFRequency?
```

Set the offset frequency that is used to measure a single offset. This command is only valid if SENS:ORFS:MEAS is set to single.

Factory Preset

and \*RST: 250 kHz

Range: -12.0 MHz to +12.0 MHz, step size: steps through the values in the selected offset frequency list.

Default Unit: Hz

Remarks: You must be in the EDGE(w/GSM), GSM mode to use this command. Use INSTRument:SElect to set the mode.

### Output RF Spectrum—Trigger Source

```
[ :SENSe ] :ORFSpectrum:TRIGger:SOURce  
EXtErnal[1] | EXtErnal2 | FRAMe | IMMEdiate | RFBurst
```

```
[ :SENSe ] :ORFSpectrum:TRIGger:SOURce?
```

Select the trigger source used to control the data acquisitions.

External 1 - front panel external trigger input

External 2 - rear panel external trigger input

Frame - uses the internal frame timer, which has been synchronized to the selected burst sync

Immediate - the next data acquisition is immediately taken, capturing the signal asynchronously (also called free run)

RF Burst - wideband RF burst envelope trigger that has automatic level control for periodic burst signals

Factory Preset

and \*RST: RF burst

Remarks: You must be in the EDGE(w/GSM), GSM mode to use this command. Use INSTRument:SElect to set the mode.

## Output RF Spectrum—Measurement Type

[ :SENSe ]:ORFSpectrum:TYPE MODulation|MSWitching|SWITching

[ :SENSe ]:ORFSpectrum:TYPE?

Select the measurement type.

Modulation - only the modulation spectrum is measured.

Modulation & Switching - both modulation and switching transient spectrums are measured.

Switching - only the switching transient spectrum is measured.

Factory Preset

and \*RST: Modulation

Remarks: You must be in the EDGE(w/GSM), GSM mode to use this command. Use INSTRument:SElect to set the mode.

## Phase & Frequency Error Measurement

Commands for querying the phase and frequency error measurement results and for setting to the default values are found in the “[MEASure Group of Commands](#)”. The equivalent front panel keys for the parameters described in the following commands, are found under the **Meas Setup** key, after the **Phase & Frequency** measurement has been selected from the **MEASURE** key menu.

### Phase & Frequency Error—Number Of Bursts Averaged

```
[ :SENSe ] :PFERror :AVERAge :COUNT <integer>
```

```
[ :SENSe ] :PFERror :AVERAge :COUNT?
```

Set the number of bursts that will be averaged. After the specified number of bursts (average counts), the averaging mode (terminal control) setting determines the averaging action.

Factory Preset  
and \*RST: 10

Range: 1 to 1,000

Remarks: You must be in the EDGE(w/GSM), GSM mode to use this command. Use INSTRument:SElect to set the mode.

### Phase & Frequency Error—Averaging State

```
[ :SENSe ] :PFERror :AVERAge [ :STATe ] OFF | ON | 0 | 1
```

```
[ :SENSe ] :PFERror :AVERAge [ :STATe ]?
```

Turn averaging on or off.

Factory Preset  
and \*RST: Off

Remarks: You must be in the EDGE(w/GSM), GSM mode to use this command. Use INSTRument:SElect to set the mode.

### Phase & Frequency Error—Averaging Mode

```
[ :SENSe ] :PFERror :AVERAge :TCONTRol EXPonential | REPeat
```

```
[ :SENSe ] :PFERror :AVERAge :TCONTRol?
```

Select the type of termination control used for the averaging function. This determines the averaging action after the specified number of bursts (average count) is reached.

Exponential - Each successive data acquisition after the average count is reached, is exponentially weighted and combined with the existing average.

Repeat - After reaching the average count, the averaging is reset and a new average is started.

Factory Preset  
and \*RST: Repeat

Remarks: You must be in the EDGE(w/GSM), GSM mode to use this command. Use INSTRument:SElect to set the mode.

### Phase & Frequency Error—Burst Synchronization

```
[ :SENSe ] :PFERror :BSYNc :SOURce  
EXTernal [ 1 ] | EXTernal 2 | NONE | RFBurst | TSEQUence
```

```
[ :SENSe ] :PFERror :BSYNc :SOURce?
```

Select the method of synchronizing the measurement to the GSM bursts.

External 1 - burst sync at front panel external trigger input

External 2 - burst sync at rear panel external trigger input

Training Sequence - the training sequence burst sync performs a demodulation of the burst and determines the start and stop of the useful part of the burst based on the midamble training sequence.

RF Burst - the RF amplitude burst sync approximates the start and stop of the useful part of the burst without demodulation of the burst.

None - no burst synchronization is used

Factory Preset  
and \*RST: Training sequence

Remarks: You must be in the EDGE(w/GSM), GSM mode to use this command. Use INSTRument:SElect to set the mode.

## Phase & Frequency Error—Trigger Source

```
[ :SENSe ] :PFERror :TRIGger :SOURce  
EXTernal[1] | EXTernal2 | FRAME | IF | IMMEDIATE | RFBURSt
```

```
[ :SENSe ] :PFERror :TRIGger :SOURce?
```

Select the trigger source used to control the data acquisitions.

External 1 - front panel external trigger input.

External 2 - rear panel external trigger input.

Frame - uses the internal frame timer, which has been synchronized to the selected burst sync.

IF - internal IF envelope (video) trigger.

Immediate - the next data acquisition is immediately taken, capturing the signal asynchronously (also called free run).

RF Burst - wideband RF burst envelope trigger that has automatic level control for periodic burst signals.

Factory Preset

and \*RST: RF burst

Remarks: You must be in the EDGE(w/GSM), GSM mode to use this command. Use INSTRUMENT:SELEct to set the mode.

## RF Port Power Range Auto

```
[ :SENSe ] :POWER [ :RF ] :RANGE :AUTO OFF | ON | 0 | 1
```

```
[ :SENSe ] :POWER [ :RF ] :RANGE :AUTO?
```

Select the RF port power range to be set either automatically or manually.

On - power range is automatically set as determined by the actual measured power level at the start of a measurement.

Off - power range is manually set

Factory Preset

and \*RST: On

Remarks: You must be in the cdmaOne, EDGE(w/GSM), GSM, NADC, PDC, cdma2000, W-CDMA (3GPP), or W-CDMA (Trial & Arib) mode to use this command. Use INSTRUMENT:SELEct to set the mode.

Front Panel

Access: Input, Max Total Pwr (at UUT)

## RF Port Power Range Maximum Total Power

[ :SENSE ] :POWER [ :RF ] :RANGE [ :UPPER ] <power>

[ :SENSE ] :POWER [ :RF ] :RANGE [ :UPPER ] ?

Set the maximum expected total power level at the radio unit under test. This value is ignored if RF port power range is set to auto. External attenuation required above 30 dBm.

Factory Preset

and \*RST: -15.0 dBm

Range: -100.0 to 80.0 dBm for EDGE, GSM

-100.0 to 27.7 dBm for cdmaOne, iDEN

-200.0 to 50.0 dBm for NADC, PDC

-200.0 to 100.0 dBm for cdma2000, W-CDMA (3GPP),  
W-CDMA (Trial & Arib)

Default Unit: dBm

Remarks: Global to the current mode. This is coupled to the RF input attenuation

You must be in the Service, cdmaOne, EDGE(w/GSM), GSM, NADC, PDC, cdma2000, W-CDMA (3GPP), or W-CDMA (Trial & Arib) mode to use this command. Use INSTRUMENT:SELEct to set the mode.

Front Panel

Access: **Input, Max Total Pwr (at UUT)**

## Power vs. Time (Burst Power) Measurement

Commands for querying the power versus time measurement results and for setting to the default values are found in the “[MEASure Group of Commands](#)”. The equivalent front panel keys for the parameters described in the following commands, are found under the **Meas Setup** key, after the **Power vs Time** measurement has been selected from the **MEASURE** key menu.

### Power vs. Time—Number of Bursts Averaged

```
[ :SENSe ]:PVTime:AVERAge:COUNT <integer>
```

```
[ :SENSe ]:PVTime:AVERAge:COUNT?
```

Set the number of bursts that will be averaged. After the specified number of bursts (average counts), the averaging mode (terminal control) setting determines the averaging action.

Factory Preset  
and \*RST: 10

Range: 1 to 10,000

Remarks: You must be in the EDGE(w/GSM), GSM or Service mode to use this command. Use INSTRument:SElect to set the mode.

### Power vs. Time—Averaging State

```
[ :SENSe ]:PVTime:AVERAge[ :STATe ] OFF|ON|0|1
```

```
[ :SENSe ]:PVTime:AVERAge[ :STATe ]?
```

Turn averaging on or off.

Factory Preset  
and \*RST: Off

Remarks: You must be in the EDGE(w/GSM), GSM or Service mode to use this command. Use INSTRument:SElect to set the mode.



### Power vs. Time—Averaging Mode

```
[ :SENSE ] :PVTIME :AVERAGE :TCONTROL EXPONENTIAL | REPEAT
```

```
[ :SENSE ] :PVTIME :AVERAGE :TCONTROL ?
```

Select the type of termination control used for the averaging function. This specifies the averaging action after the specified number of bursts (average count) is reached.

Exponential - Each successive data acquisition after the average count is reached is exponentially weighted and combined with the existing average.

Repeat - After reaching the average count, the averaging is reset and a new average is started.

Factory Preset  
and \*RST: Exponential

Remarks: You must be in the EDGE(w/GSM), GSM or Service mode to use this command. Use INSTRUMENT:SELECT to set the mode.

### Power vs. Time—Averaging Type

```
[ :SENSE ] :PVTIME :AVERAGE :TYPE  
LOG | MAXIMUM | MINIMUM | MXMINIMUM | RMS
```

```
[ :SENSE ] :PVTIME :AVERAGE :TYPE ?
```

Select the type of averaging to be performed.

Log - The log of the power is averaged. (This is also known as video averaging.)

Maximum - The maximum values are retained.

Minimum - The minimum values are retained.

MXMinimum - Both the maximum and the minimum values are retained.

RMS - The power is averaged, providing the rms of the voltage.

Factory Preset  
and \*RST: RMS

Remarks: You must be in the EDGE(w/GSM), GSM or Service mode to use this command. Use INSTRUMENT:SELECT to set the mode.

### Power vs. Time—Resolution BW

```
[ :SENSe ]:PVTime:BANDwidth|BWIDth[:RESolution] <freq>
```

```
[ :SENSe ]:PVTime:BANDwidth|BWIDth[:RESolution]?
```

Set the resolution BW. This is an advanced control that normally does not need to be changed. Setting this to a value other than the factory default, may cause invalid measurement results.

Factory Preset

and \*RST: 500 kHz

Range: 1 kHz to 5 MHz

Default Unit: Hz

Remarks: You must be in the EDGE(w/GSM), GSM or Service mode to use this command. Use INSTRument:SElect to set the mode.

### Power vs. Time—RBW Filter Type

```
[ :SENSe ]:PVTime:BANDwidth|BWIDth[:RESolution]:TYPE
```

```
FLATtop|GAUSSian
```

```
[ :SENSe ]:PVTime:BANDwidth|BWIDth[:RESolution]:TYPE?
```

Select the type of resolution BW filter. This is an advanced control that normally does not need to be changed. Setting this to a value other than the factory default, may cause invalid measurement results.

Flattop - a filter with a flat amplitude response, which provides the best amplitude accuracy.

Gaussian - a filter with Gaussian characteristics, which provides the best pulse response.

Factory Preset

and \*RST: Gaussian

Remarks: You must be in the EDGE(w/GSM), GSM or Service mode to use this command. Use INSTRument:SElect to set the mode.

### Power vs. Time—Burst Synchronization Source

[ :SENSe ] :PVTIme:BSYNc:SOURce RFBurst | TSEquence

[ :SENSe ] :PVTIme:BSYNc:SOURce?

Select the method of synchronizing the measurement to the GSM bursts.

RF Burst - the RF burst sync approximates the start and stop of the useful part of the burst without digital demodulation of the burst.

TSEquence - the training sequence burst sync performs a demodulation of the burst and determines the start and stop of the useful part of the burst based on the midamble training sequence.

Factory Preset

and \*RST: RF burst

Remarks: You must be in the EDGE(w/GSM), GSM mode to use this command. Use INSTRument:SElect to set the mode.

### Power vs. Time—Lower Mask Absolute Amplitude Levels

[ :SENSe ] :PVTIme:MASK:LIST:LOWer:ABSolute <power>{ ,<power> }

[ :SENSe ] :PVTIme:MASK:LIST:LOWer:ABSolute?

Enter the absolute power level for any of your mask line segments that require absolute limits in addition to their relative limits. Normally, your defined relative mask values are used as the limits for testing. If the power of the reference level is decreased, all of these relative mask power levels will decrease by the same amount until they reach a defined minimum absolute power. That minimum absolute power will then be used as the test limit. For each segment, that minimum absolute power will either be the default value, or the value you set using this command.

Any portion of the signal that has no limit line segment defined for it, will default its to a very low limit (–200 dBm). Because of this, all data in that undefined area will pass the test.

Factory Preset

and \*RST: Selected GSM standard

Range: –200 dBm to +100 dBm

Default Unit: dBm

**Remarks:** You need power values for each of the defined time points. You must put a comma in the SCPI command as a place holder for any points where an absolute power is not specified.

You must be in EDGE(w/GSM), GSM mode to use this command. Use INSTRument:SElect to set the mode.

**History:** Revised A.03.00 and later

### **Power vs. Time—Lower Mask Points**

`[ :SENSe ] :PVTime :MASK :LIST :LOWer :POINTs?`

Query the number of elements in the lower mask. This value is determined by the number of time points entered using

`[ :SENSe ] :PVTime :MASK :LIST :LOWer :TIME.`

**Range:** integer, 1 to 25

**Remarks:** You must be in EDGE(w/GSM), GSM mode to use this command. Use INSTRument:SElect to set the mode.

**History:** Revision A.03.00 or later

**Power vs. Time—Lower Mask Relative Amplitude Levels**

```
[ :SENSe ] :PVTime:MASK:LIST:LOWer:RELative
<rel_power>{ , <rel_power> }
```

```
[ :SENSe ] :PVTime:MASK:LIST:LOWer:RELative?
```

Enter the relative power level for each of the horizontal line segments in the lower limit mask. There should be a power level for each time point entered using the

[ :SENSe ] :PVTime:MASK:LIST:LOWer:TIME command. These power levels are all relative to the defined Reference Power Level (the average power in the useful part of the data). When an upper and lower limit mask have been defined, the Reference Power Level is the mid-point between these two limits at time  $t_0$ .

Any portion of the signal that has no limit line segment defined for it, will default to a very low limit (–100 dB relative to the reference power). This will keep the measurement from indicating a failure for that portion of the data.

Factory Preset

and \*RST: Selected GSM standard

Range: +200 dB to –100 dB, relative to the reference power

Default Unit: dB

Remarks: You must be in EDGE(w/GSM), GSM mode to use this command. Use INSTRument:SElect to set the mode.

History: Revision A.03.00 or later

**Power vs. Time—Lower Mask Time Points**

```
[ :SENSe ] :PVTime:MASK:LIST:LOWer:TIME <seconds>{ , <seconds> }
```

```
[ :SENSe ] :PVTime:MASK:LIST:LOWer:TIME?
```

Enter the ending points for the horizontal line segments that define the lower limit mask. All the line segments begin at the time =  $t_0$  reference point at the center of the useful data (usually the center of the burst). For example, all the mask line segments to the right of  $t_0$  will have positive time values that get successively larger, while those to the left get successively more negative. See [Figure 1-3 on page 129](#).

We recommend that you select a large time value for your first and last mask points (e.g. –1 and +1 second). This guarantees that you've defined a limit for all the measured data.

Factory Preset

and \*RST: Selected GSM standard

Range:            -1s to +1s, referenced to  $t_0$  at the center of the useful  
                    data (burst center)  
                    1 to 25 time points in a mask

Default Unit:    seconds

Remarks:        You must be in the EDGE(w/GSM), GSM mode to use  
                    this command. Use INSTRument:SElect to set the  
                    mode.

History:         Revision A.03.00 or later

### **Power vs. Time—Custom Limit Masks**

`[ :SENSe ] :PVTime:MASK:SElect STANDARD|CUSTOM`

`[ :SENSe ] :PVTime:MASK:SElect?`

Select standard masks or user-defined custom masks to compare you measured data against.

Factory Preset  
and \*RST:        Standard

Remarks:        You must be in EDGE(w/GSM), GSM mode to use this  
                    command. Use INSTRument:SElect to set the mode.

History:         Revision A.03.00 or later

### Power vs. Time—Upper Mask Absolute Amplitude Levels

```
[ :SENSe ] :PVTIme:MASK:LIST:UPPer:ABSolute <power>{ ,<power> }
[ :SENSe ] :PVTIme:MASK:LIST:UPPer:ABSolute?
```

Enter the absolute power level for any of your mask line segments that require absolute limits in addition to their relative limits. Normally, your defined relative mask values are used as the limits for testing. If the power of the reference level is increased, all of the relative mask power levels will increase by the same amount until they reach a defined maximum absolute power. That maximum absolute power will then be used as the test limit. For each segment, that maximum absolute power will either be the default value, or the value you set using this command. See [Figure 1-3 on page 129](#).

Any portion of the signal that has no limit line segment defined for it, will default its to a very high limit (100 dBm). Because of this, all data in that undefined area will pass the test.

#### Factory Preset

and \*RST: Selected GSM standard

Range: –200 dBm to +100 dBm

Default Unit: dBm

Remarks: You need power values for each of the defined time points. You must put a comma in the SCPI command as a place holder for any points where an absolute power is not specified.

You must be in EDGE(w/GSM), GSM mode to use this command. Use INSTRument:SElect to set the mode.

History: Revision A.03.00 or later

### Power vs. Time—Upper Mask Points

```
[ :SENSe ] :PVTIme:MASK:LIST:UPPer:POINTs?
```

Query the number of elements in the upper mask. This value is determined by the number of time points entered using

```
[ :SENSe ] :PVTIme:MASK:LIST:UPPer:TIME.
```

Range: integer, 1 to 25

Remarks: You must be in EDGE(w/GSM), GSM mode to use this command. Use INSTRument:SElect to set the mode.

History: Revision A.03.00 or later

### Power vs. Time—Upper Mask Relative Amplitude Levels

```
[ :SENSe ] :PVTime:MASK:LIST:UPPer:RELative  
<rel_power>{ ,<rel_power> }
```

```
[ :SENSe ] :PVTime:MASK:LIST:UPPer:RELative?
```

Enter the relative power level for each of the horizontal line segments in the upper limit mask. There should be a power level for each time point entered using [ :SENSe ] :PVTime:MASK:LIST:UPPer:TIME. These power levels are all relative to the defined Reference Power Level (the average power in the useful part of the data). When an upper and lower limit mask have been defined, the Reference Power Level is the mid-point between these two limits at time  $t_0$ . See [Figure 1-3 on page 129](#).

Factory Preset

and \*RST: Selected GSM standard

Range: 200 dB to -100 dB, relative to the reference power

Default Unit: dB

Remarks: You must be in EDGE(w/GSM), GSM mode to use this command. Use INSTRument:SElect to set the mode.

History: Revision A.03.00 or later

### Power vs. Time—Upper Mask Time Points

```
[ :SENSe ] :PVTime:MASK:LIST:UPPer:TIME <seconds>{ ,<seconds> }
```

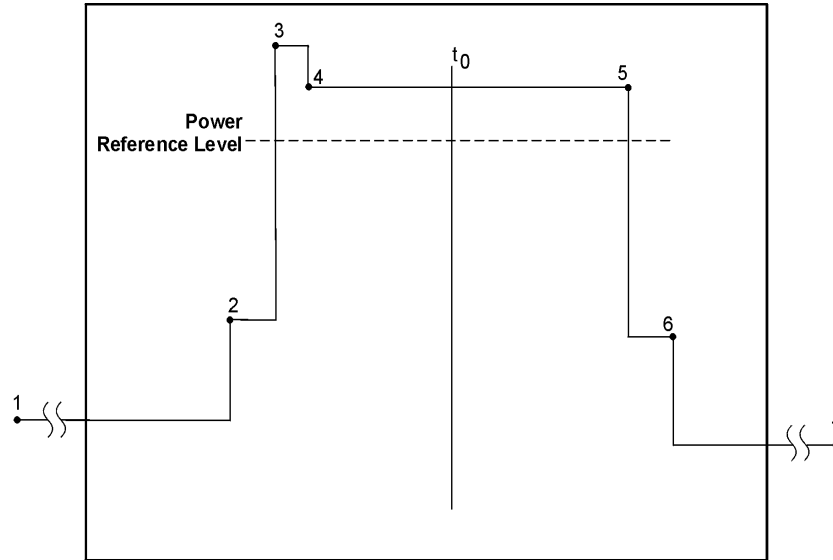
```
[ :SENSe ] :PVTime:MASK:LIST:UPPer:TIME?
```

Enter the ending points for the horizontal line segments that define the upper limit mask. All the line segments begin at the time =  $t_0$  reference point at the center of the useful data (usually the center of the burst). For example, all the mask line segments to the right of  $t_0$  will have positive time values that get successively larger, while those to the left get successively more negative.

We recommend that you select a large time value for your first and last mask points (e.g. -1 and +1 second). This guarantees that you've defined a limit for all the measured data.



**Figure 1-3 Custom Upper Limit Mask Example**



ca819a

Mask Segment	Selected Time Value	Selected Relative Power (with Ref Level = -12 dBm)		Selected Absolute Power	Segment Position on Screen
		Selected Power	Equivalent Absolute Power		
1	-1 sec	-43 dB	-55 dBm	-68 dBm	-55
2	-300 $\mu$ s	-25 dB	-37 dBm		-37
3	-280 $\mu$ s	7 dB	-5 dBm	0 dBm <sup>a</sup>	0 <sup>a</sup>
4	-270 $\mu$ s	4 dB	-8 dBm		-8
5	280 $\mu$ s	4 dB	-8 dBm		-8
6	295 $\mu$ s	-32 dB	-44 dBm		-44
7	1 sec	-48 dB	-60 dBm	-68 dBm	-60

a. The zero value was selected because the absolute power specifies the lowest allowed value of the mask, in this case 0 dBm.

Example: `PVT:mask:list:upper:time -1, -300e-6, -280e-6, -270e-6, 280e-6, 295e-6, 1`

Factory Preset  
and \*RST: Selected GSM standard

Range: -1s to +1s, referenced to  $t_0$  at the center of the useful data (burst center)

1 to 25 time points in a mask

Default Unit: seconds

Remarks: You must be in the EDGE(w/GSM), GSM mode to use this command. Use INSTRument:SElect to set the mode.

History: Revision A.03.00 or later

### Power vs. Time—Sweep Time

`[ :SENSe ] :PVTime :SWEep :TIME <integer>`

`[ :SENSe ] :PVTime :SWEep :TIME?`

Set the number of slots which are used in each data acquisition. Each slot is approximately equal to 570 ms. The measurement is made for a small additional amount of time (about 130  $\mu$ s) in order to view the burst edges.

Factory Preset  
and \*RST: 1

Range: 1 to 50 (for resolution BW = 500 kHz)

Remarks: You must be in the EDGE(w/GSM), GSM or Service mode to use this command. Use INSTRument:SElect to set the mode.

## Power vs. Time—Trigger Source

```
[ :SENSE]:PVTIme:TRIGger:SOURce EXTernal[1] | EXTernal2  
| FRAME | IF | IMMEDIATE | RFBURST
```

```
[ :SENSE]:PVTIme:TRIGger:SOURce?
```

Select the trigger source used to control the data acquisitions.

External 1 - front panel external trigger input

External 2 - rear panel external trigger input

Frame - uses the internal frame timer, which has been synchronized to the selected burst sync.

IF - internal IF envelope (video) trigger

Immediate - the next data acquisition is immediately taken, capturing the signal asynchronously (also called Free Run).

RF Burst - wideband RF burst envelope trigger that has automatic level control for periodic burst signals.

Factory Preset

and \*RST: RF burst

Remarks: You must be in the EDGE(w/GSM), GSM or Service mode to use this command. Use INSTRUMENT:SELEct to set the mode.

## Radio Carrier Hopping

```
[ :SENSe ]:RADIo:CARRier:HOP OFF|ON|0|1
```

```
[ :SENSe ]:RADIo:CARRier:HOP?
```

Turns the carrier hopping mode on and off.

Factory Preset

and \*RST: Off

Remarks: Global to the current mode.

You must be in the EDGE(w/GSM), GSM mode to use this command. Use INSTRument:SElect to set the mode.

History: Version A.03.00 or later

Front Panel

Access: **Mode Setup, Radio, Carrier**

## Radio Carrier Burst

```
[ :SENSe ]:RADIo:CARRier[:TYPE] BURSt|CONTInuous
```

```
[ :SENSe ]:RADIo:CARRier[:TYPE]?
```

Select the type of RF carrier on the device to be tested.

Factory Preset

and \*RST: Burst

Remarks: You must be in the EDGE(w/GSM), GSM mode to use this command. Use INSTRument:SElect to set the mode.

Global to the current mode.

History: Version A.03.00 or later

Front Panel

Access: **Mode Setup, Radio, Carrier**

## Radio Device Under Test

```
[ :SENSe]:RADIo:DEVIce BTS|MS
```

```
[ :SENSe]:RADIo:DEVIce?
```

Select the type of radio device to be tested.

BTS - Base station transmitter test

MS - Mobile station transmitter test

Factory Preset

and \*RST:       BTS

Remarks:       Global to the current mode.

You must be in cdma2000, EDGE(w/GSM), GSM, W-CDMA (3GPP), or W-CDMA (Trial & Arib) mode to use this command. Use INSTRument:SELEct to set the mode.

History:        Version A.03.00 or later

Front Panel

Access:         **Mode Setup, Radio, Device**

## Radio Base Station Type

```
[ :SENSe]:RADIo:DEVIce:BASE[:TYPE] NORMAl|MICRO|PICO
```

```
[ :SENSe]:RADIo:DEVIce:BASE[:TYPE]?
```

Select the type of base station to be tested. If you are testing a base station, it must be put into the test mode to transmit known bit patterns.

Factory Preset

and \*RST:       Normal

Remarks:       You must be in the EDGE(w/GSM), GSM mode to use this command. Use INSTRument:SELEct to set the mode.

Global to current mode.

History:        Added revision A.04.00 and later

Front Panel

Access:         **Mode Setup, Radio, BTS Type**

## Radio Standard Band

```
[ :SENSe ] :RADio :STANdard :BAND  
PGSM | EGSM | RGSM | DCS | PCS | GSM450 | GSM480 | GSM850
```

```
[ :SENSe ] :RADio :STANdard :BAND?
```

Select the standard variant that applies to the radio to be tested.

EGSM - Extended GSM in the 900 MHz band

PGSM - Primary GSM in the 900 MHz band

RGSM - Railway GSM in the 900 MHz band

DCS - DSC1800 band; also known as GSM-1800

PCS - PCS1900 band; also known as GSM-1900

GSM450 - GSM450 band

GSM480 - GSM480 band

GSM850 - GSM850 band, for IS-136HS

Factory Preset

and \*RST: PGSM

Remarks: Global to the current mode.

You must be in EDGE(w/GSM), GSM mode to use this command. Use INSTRument:SElect to set the mode.

History: More standards added A.02.00, A.03.00

Front Panel

Access: **Mode Setup, Radio, Band**

## Spectrum (Frequency-Domain) Measurement

Commands for querying the spectrum measurement results and for setting to the default values are found in the “[MEASure Group of Commands](#)”. The equivalent front panel keys for the parameters described in the following commands, are found under the **Meas Setup** key, after the **Spectrum (Freq Domain)** measurement has been selected from the **MEASURE** key menu.

### Spectrum—Data Acquisition Packing

```
[ :SENSe]:SPECTrum:ACQuisition:PACKing
AUTO|LONG|MEDIum|SHORT
```

```
[ :SENSe]:SPECTrum:ACQuisition:PACKing?
```

Select the amount of data acquisition packing. This is an advanced control that normally does not need to be changed.

Factory Preset  
and \*RST:      Auto

Remarks:      To use this command, the appropriate mode should be selected with INSTRument:SElect.

### Spectrum—ADC Dither

```
[ :SENSe]:SPECTrum:ADC:DITHer[:STATe] AUTO|ON|OFF|2|1|0
```

```
[ :SENSe]:SPECTrum:ADC:DITHer[:STATe]?
```

Turn the ADC dither on or off. This is an advanced control that normally does not need to be changed.

Factory Preset  
and \*RST:      Auto

Remarks:      To use this command, the appropriate mode should be selected with INSTRument:SElect.

### Spectrum—ADC Range

```
[ :SENSe]:SPECTrum:ADC:RANGe
AUTO|APEak|APLock|M6|P0|P6|P12|P18|P24|
```

```
[ :SENSe]:SPECTrum:ADC:RANGe?
```

Select the range for the gain-ranging that is done in front of the ADC. This is an advanced control that normally does not need to be changed. Auto peak ranging is the default for this measurement. If you are measuring a CW signal please see the description below.

- Auto - automatic range

For FFT spectrums - auto ranging should not be used. An exception to this would be if you know that your signal is “bursty”. Then you might use auto to maximize the time domain dynamic range as long as you are not very interested in the FFT data.

- Auto Peak - automatically peak the range

For CW signals, the default of auto-peak ranging can be used, but a better FFT measurement of the signal can be made by selecting one of the manual ranges that are available: M6, P0 - P24.

Auto peaking can cause the ADC range gain to move monotonically down during the data capture. This movement should have negligible effect on the FFT spectrum, but selecting a manual range removes this possibility. Note that if the CW signal being measured is close to the auto-ranging threshold, the noise floor may shift as much as 6 dB from sweep to sweep.

- Auto Peak Lock - automatically peak lock the range

For CW signals, auto-peak lock ranging may be used. It will find the best ADC measurement range for this particular signal and will not move the range as auto-peak can. Note that if the CW signal being measured is close to the auto-ranging threshold, the noise floor may shift as much as 6 dB from sweep to sweep.

For “bursty” signals, auto-peak lock ranging should not be used. The measurement will fail to operate, since the wrong (locked) ADC range will be chosen often and overloads will occur in the ADC.

- M6 - manually selects an ADC range that subtracts 6 dB of fixed gain across the range. Manual ranging is best for CW signals.

- P0 to 24 - manually selects ADC ranges that add 0 to 24 dB of fixed gain across the range. Manual ranging is best for CW signals.

Factory Preset

and \*RST:      Auto peak

Remarks:      To use this command, the appropriate mode should be selected with INSTRument:SElect.



### Spectrum—Average Clear

```
[ :SENSe ] :SPECTrum:AVERAge:CLEAr
```

The average data is cleared and the average counter is reset.

Remarks: To use this command, the appropriate mode should be selected with INSTRument:SELEct.

### Spectrum—Number of Averages

```
[ :SENSe ] :SPECTrum:AVERAge:COUNT <integer>
```

```
[ :SENSe ] :SPECTrum:AVERAge:COUNT?
```

Set the number of 'sweeps' that will be averaged. After the specified number of 'sweeps' (average counts), the averaging mode (terminal control) setting determines the averaging action.

Factory Preset  
and \*RST: 25

Range: 1 to 10,000

Remarks: To use this command, the appropriate mode should be selected with INSTRument:SELEct.

### Spectrum—Averaging State

```
[ :SENSe ] :SPECTrum:AVERAge[ :STATe ] OFF | ON | 0 | 1
```

```
[ :SENSe ] :SPECTrum:AVERAge[ :STATe ]?
```

Turn averaging on or off.

Factory Preset  
and \*RST: On

Remarks: To use this command, the appropriate mode should be selected with INSTRument:SELEct.

### Spectrum—Averaging Mode

```
[ :SENSe ] :SPECTrum:AVERAge:TCONtrol EXPONential | REPeat  
[ :SENSe ] :SPECTrum:AVERAge:TCONtrol?
```

Select the type of termination control used for the averaging function. This determines the averaging action after the specified number of 'sweeps' (average count) is reached.

Exponential - Each successive data acquisition after the average count is reached, is exponentially weighted and combined with the existing average.

Repeat - After reaching the average count, the averaging is reset and a new average is started.

Factory Preset  
and \*RST:      Exponential

Remarks:      To use this command, the appropriate mode should be selected with INSTRument:SElect.

### Spectrum—Averaging Type

```
[ :SENSe ] :SPECTrum:AVERAge:TYPE  
LOG | MAXimum | MINimum | RMS | SCALar  
[ :SENSe ] :SPECTrum:AVERAge:TYPE?
```

Select the type of averaging.

Log – The log of the power is averaged. (This is also known as video averaging.)

Maximum – The maximum values are retained.

Minimum – The minimum values are retained.

RMS – The power is averaged, providing the rms of the voltage.

Scalar – The voltage is averaged.

Factory Preset  
and \*RST:      Log

Remarks:      To use this command, the appropriate mode should be selected with INSTRument:SElect.

### Spectrum—Pre-ADC Bandpass Filter

```
[ :SENSe] :SPECTrum: BANDwidth| BWIDth: PADC OFF| ON| 0| 1
```

```
[ :SENSe] :SPECTrum: BANDwidth| BWIDth: PADC?
```

Turn the pre-ADC bandpass filter on or off. This is an advanced control that normally does not need to be changed.

Remarks: To use this command, the appropriate mode should be selected with INSTRument:SElect.

### Spectrum—Pre-FFT BW Auto

```
[ :SENSe] :SPECTrum: BANDwidth| BWIDth: PFFT: AUTO OFF| ON| 0| 1
```

```
[ :SENSe] :SPECTrum: BANDwidth| BWIDth: PFFT: AUTO?
```

Select auto or manual control of the pre-FFT BW. This is an advanced control that normally does not need to be changed.

Auto - couples the pre-FFT BW to the frequency span.

Manual - the pre-FFT BW is uncoupled from the frequency span.

Remarks: To use this command, the appropriate mode should be selected with INSTRument:SElect.

### Spectrum—Pre-FFT BW

```
[ :SENSe] :SPECTrum: BANDwidth| BWIDth: PFFT[ :SIZE] <freq>
```

```
[ :SENSe] :SPECTrum: BANDwidth| BWIDth: PFFT[ :SIZE]?
```

Set the pre-FFT bandwidth. This is an advanced control that normally does not need to be changed.

Frequency span, resolution bandwidth, and the pre-FFT bandwidth settings are normally coupled. If you are not auto-coupled, there can be combinations of these settings that are not valid.

Factory Preset  
and \*RST: 1.55 MHz  
1.25 MHz for cdmaOne  
155.0 kHz, for iDEN mode

Range: 1 Hz to 10.0 MHz

Remarks: To use this command, the appropriate mode should be selected with INSTRument:SElect.

### Spectrum—Pre-FFT BW Filter Type

```
[ :SENSe ] :SPEctrum:BAWdwidth|BWIDth:PFFT:TYPE FLAT|GAUSSian  
[ :SENSe ] :SPEctrum:BAWdwidth|BWIDth:PFFT:TYPE?
```

Select the type of pre-FFT filter that is used. This is an advanced control that normally does not need to be changed.

Flat top- a filter with a flat amplitude response, which provides the best amplitude accuracy.

Gaussian - a filter with Gaussian characteristics, which provides the best pulse response.

Factory Preset

and \*RST: Flat top

Remarks: To use this command, the appropriate mode should be selected with INSTRUMENT:SElect.

### Spectrum—Resolution BW

```
[ :SENSe ] :SPEctrum:BAWdwidth|BWIDth[:RESolution] <freq>  
[ :SENSe ] :SPEctrum:BAWdwidth|BWIDth[:RESolution]?
```

Set the resolution bandwidth for the FFT. This is the bandwidth used for resolving the FFT measurement. It is not the pre-FFT bandwidth. This value is ignored if the function is auto-coupled.

Frequency span, resolution bandwidth, and the pre-FFT bandwidth settings are normally coupled. If you are not auto-coupled, there can be combinations of these settings that are not valid.

Factory Preset

and \*RST: 20.0 kHz  
250.0 Hz, for iDEN mode

Range: 0.10 Hz to 3.0 MHz

Remarks: To use this command, the appropriate mode should be selected with INSTRUMENT:SElect.

### Spectrum—Resolution BW Auto

```
[ :SENSe]:SPECTrum:BANDwidth|BWIDth[:RESolution]:AUTO  
OFF|ON|0|1
```

```
[ :SENSe]:SPECTrum:BANDwidth|BWIDth[:RESolution]:AUTO?
```

Select auto or manual control of the resolution BW. The automatic mode couples the resolution bandwidth setting to the frequency span.

Factory Preset  
and \*RST: On

Off, for iDEN mode

Remarks: To use this command, the appropriate mode should be selected with INSTRument:SElect.

### Decimation of Spectrum Display

```
[ :SENSe]:SPECTrum:DECimate[:FACTor] <integer>
```

```
[ :SENSe]:SPECTrum:DECimate[:FACTor]?
```

Set the amount of data decimation done by the hardware and/or the software. Decimation by 3 keeps every third sample, throwing away the two in between. Similarly, decimation by 5 keeps every fifth sample, throwing away the four in between.

Using zero (0) decimation selects the automatic mode. The measurement will then automatically choose decimation by “1” or “2” as is appropriate for the bandwidth being used. This is an advanced control that normally does not need to be changed.

Factory Preset  
and \*RST: 0

Range: 0 to 1,000, where 0 sets the function to automatic

Remarks: To use this command, the appropriate mode should be selected with INSTRument:SElect.

History: Version A.02.00 or later

### Spectrum—FFT Length

[ :SENSe ] :SPECTrum:FFT:LENGth <integer>

[ :SENSe ] :SPECTrum:FFT:LENGth?

Set the FFT length. This value is only used if length control is set to manual. The value must be greater than or equal to the window length value. Any amount greater than the window length is implemented by zero-padding. This is an advanced control that normally does not need to be changed.

Factory Preset

and \*RST: 4096

32768, for iDEN mode

Range: 8 to 1,048,576

Remarks: To use this command, the appropriate mode should be selected with INSTRument:SElect.

History: Short form changed from LENGth to LENGth, A.03.00

### Spectrum—FFT Length Auto

[ :SENSe ] :SPECTrum:FFT:LENGth:AUTO OFF|ON|0|1

[ :SENSe ] :SPECTrum:FFT:LENGth:AUTO?

Select auto or manual control of the FFT and window lengths.

This is an advanced control that normally does not need to be changed.

On - the window lengths are coupled to resolution bandwidth, window type (FFT), pre-FFT bandwidth (sample rate) and SENSe:SPECTrum:FFT:RBWPoints.

Off - lets you set SENSe:SPECTrum:FFT:LENGth and SENSe:SPECTrum:FFT:WINDow:LENGth.

Factory Preset

and \*RST: On

Remarks: To use this command, the appropriate mode should be selected with INSTRument:SElect.

History: Short form changed from LENGth to LENGth, A.03.00

### Spectrum—FFT Minimum Points in Resolution BW

`[ :SENSE ] :SPECTrum:FFT:RBWPoints <real>`

`[ :SENSe ] :SPECTum:FFT:RBWPoints?`

Set the minimum number of data points that will be used inside the resolution bandwidth. The value is ignored if length control is set to manual. This is an advanced control that normally does not need to be changed.

Factory Preset

and \*RST: 1.30

Range: 0.1 to 100

Remarks: To use this command, the appropriate mode should be selected with INSTRument:SElect.

### Spectrum—Window Length

`[ :SENSE ] :SPECTrum:FFT:WINDow:LENGth <integer>`

`[ :SENSe ] :SPECTrum:FFT:WINDow:LENGth?`

Set the FFT window length. This value is only used if length control is set to manual. This is an advanced control that normally does not need to be changed.

Factory Preset

and \*RST: 706

5648, for iDEN mode

Range: 8 to 1,048,576

Remarks: To use this command, the appropriate mode should be selected with INSTRument:SElect.

History: Short form changed from LENGth to LENGth, A.03.00

## Spectrum—FFT Window

```
[ :SENSe ] :SPEctrum:FFT:WINDow[ :TYPE]  
BH4Tap | BLACKman | FLATtop | GAUSSian | HAMMING | HANNing | KB70 | KB90  
| KB110 | UNIFORM
```

```
[ :SENSe ] :SPEctrum:FFT:WINDow[ :TYPE]?
```

Select the FFT window type.

BH4Tap - Blackman Harris with 4 taps

Blackman - Blackman

Flat Top - flat top, the default (for high amplitude accuracy)

Gaussian - Gaussian with alpha of 3.5

Hamming - Hamming

Hanning - Hanning

KB70, 90, and 110 - Kaiser Bessel with sidelobes at -70, -90, or -110 dBc

Uniform - no window is used. (This is the unity response.)

Factory Preset

and \*RST: Flat top

Remarks: This selection affects the acquisition point quantity and the FFT size, based on the resolution bandwidth selected.

To use this command, the appropriate mode should be selected with INSTRument:SElect.



## Spectrum—Frequency Span

[ :SENSe ] :SPECTrum:FREQUency:SPAN <freq>

[ :SENSe ] :SPECTrum:FREQUency:SPAN?

Set the frequency span to be measured.

Factory Preset

and \*RST: 1.0 MHz

100.0 kHz for iDEN mode

Range: 10 Hz to 10.0 MHz (15 MHz when Service mode is selected)

Default Unit: Hz

Remarks: The actual measured span will generally be slightly wider due to the finite resolution of the FFT.

To use this command, the appropriate mode should be selected with INSTRument:SElect.

## Spectrum—Trigger Source

[ :SENSe ] :SPECTrum:TRIGger:SOURce

EXTErnal[1] | EXTErnal2 | FRAME | IF | LINE | IMMEDIATE | RFBURST

[ :SENSe ] :SPECTrum:TRIGger:SOURce?

Select the trigger source used to control the data acquisitions.

External1 - front panel external trigger input

External2 - rear panel external trigger input

Frame - internal frame timer from front panel input

IF - internal IF envelope (video) trigger

Line - internal line trigger

Immediate - the next data acquisition is immediately taken (also called free run)

RF Burst - wideband RF burst envelope trigger that has automatic level control for periodic burst signals

Factory Preset

and \*RST: Immediate (free run)

RF burst, for GSM, iDEN mode

Remarks: To use this command, the appropriate mode should be selected with INSTRument:SElect.

## Sync Alignment

```
[ :SENSe ]:SYNC:ALIGnment GSM|HBIT
```

```
[ :SENSe ]:SYNC:ALIGnment?
```

Select the sync alignment to be either to the GSM standard or the standard offset by 1/2 bit.

GSM - burst alignment as defined in the GSM standard

HBIT - burst alignment is advanced by 1/2 bit, which corresponds to an earlier interpretation of the GSM standard

Factory Preset

and \*RST: Half bit

Remarks: Global to the current mode.

You must be in the EDGE(w/GSM), GSM mode to use this command. Use INSTRument:SElect to set the mode.

Front Panel

Access: Mode Setup, Demod, Burst Align

## Sync Burst RF Amplitude Delay

```
[ :SENSe ]:SYNC:BURSt:RFAMplitude:DELay <time>
```

```
[ :SENSe ]:SYNC:BURSt:RFAMplitude:DELay?
```

Set the delay for the RF amplitude sync.

Factory Preset

and \*RST: 0 s

Range: -100 ms to 100 ms

Default Unit: seconds

Remarks: Global to the current mode.

You must be in the EDGE(w/GSM), GSM mode to use this command. Use INSTRument:SElect to set the mode.

Front Panel

Access: Mode Setup, Trigger, RF Burst, Delay

## Burst Search Threshold

```
[ :SENSE]:SYNC:BURSt:STHReshold <rel_power>
```

```
[ :SENSE]:SYNC:BURSt:STHReshold?
```

Set the relative power threshold, which is used to determine the timeslots that will be included in the search for GSM bursts. For measurements that have burst sync set to training sequence, these bursts will be the only ones that will be searched for valid TSC's (training sequence codes). The threshold power is relative to the peak power of the highest power timeslot. This is useful when measuring a BTS with different power levels in different timeslots, and you want to exclude bursts with lower power levels.

Factory Preset

and \*RST:       -10 dB

Range:           -200 to -0.01 dB

Default Unit:   dB

Remarks:        You must be in the EDGE(w/GSM), GSM mode to use this command. Use INSTRument:SElect to set the mode.

Front Panel

Access:          **Mode Setup, Trigger, Slot Threshold**

## Transmit Band Spurs Measurement

Commands for querying the transmit band spurs measurement results and for setting to the default values are found in the “[MEASure Group of Commands](#)”. The equivalent front panel keys for the parameters described in the following commands, are found under the **Meas Setup** key, after the **TxBand Spur** measurement has been selected from the **MEASURE** key menu.

### Transmit Band Spurs—Average Count

```
[ :SENSe ] :TSPur :AVERAge :COUNT <integer>
```

```
[ :SENSe ] :TSPur :AVERAge :COUNT?
```

Set the number of data acquisitions that will be averaged. After the specified number of average counts, the averaging mode (terminal control) setting determines the averaging action.

Factory Preset  
and \*RST: 30

Range: 1 to 10,000

Remarks: You must be in the EDGE(w/GSM), GSM mode to use this command. Use INSTRument:SElect to set the mode.

History: Version A.03.00 or later

### Transmit Band Spurs—Averaging State

```
[ :SENSe ] :TSPur :AVERAge [ :STATe ] OFF | ON | 0 | 1
```

```
[ :SENSe ] :TSPur :AVERAge [ :STATe ]?
```

Turn averaging on or off.

Factory Preset  
and \*RST: On

Remarks: You must be in the EDGE(w/GSM), GSM mode to use this command. Use INSTRument:SElect to set the mode.

History: Version A.03.00 or later

### Transmit Band Spurs—Averaging Termination Control

```
[ :SENSE ] :TSPur:AVERage:TCONtrol EXPonential | REPEAT
```

```
[ :SENSE ] :TSPur:AVERage:TCONtrol?
```

Select the type of termination control used for the averaging function. This determines the averaging action after the specified number of data acquisitions (average count) is reached.

Exponential - Each successive data acquisition after the average count is reached, is exponentially weighted and combined with the existing average.

Repeat - After reaching the average count, the averaging is reset and a new average is started.

Factory Preset  
and \*RST: Repeat

Remarks: You must be in the EDGE(w/GSM), GSM mode to use this command. Use INSTRUMENT:SElect to set the mode.

History: Version A.03.00 or later

### Transmit Band Spurs—Averaging Type

```
[ :SENSE ] :TSPur:AVERage:TYPE LOG | MAXimum | RMS
```

```
[ :SENSE ] :TSPur:AVERage:TYPE?
```

Select the type of averaging.

Log - The log of the power is averaged. (This is also known as video averaging.)

Maximum - The maximum values are retained.

RMS - The power is averaged, providing the rms of the voltage.

Factory Preset  
and \*RST: Maximum

Remarks: You must be in the EDGE(w/GSM), GSM mode to use this command. Use INSTRUMENT:SElect to set the mode.

History: Version A.03.00 or later

### Transmit Band Spurs—Type

[ :SENSe ] :TSPur :TYPE EXAMine | FULL

[ :SENSe ] :TSPur :TYPE?

Select the measurement type.

Examine - measures spurs in all the valid segments and then displays the segment that has the worst spur

Full - continuously measures the spurs in all the valid segments

Factory Preset

and \*RST: Full

Remarks: You must be in the EDGE(w/GSM), GSM mode to use this command. Use INSTRument:SElect to set the mode.

History: Version A.03.00 or later

## Transmit Power Measurement

Commands for querying the transmit power measurement results and for setting to the default values are found in the “[MEASure Group of Commands](#)”. The equivalent front panel keys for the parameters described in the following commands, are found under the **Meas Setup** key, after the **Transmit Power** measurement has been selected from the **MEASURE** key menu.

### Transmit Power—Number of Bursts Averaged

```
[ :SENSE]:TXPower:AVERAge:COUNT <integer>
```

```
[ :SENSE]:TXPower:AVERAge:COUNT?
```

Set the number of bursts that will be averaged. After the specified number of bursts (average counts), the averaging mode (terminal control) setting determines the averaging action.

Factory Preset  
and \*RST: 50

Range: 1 to 10,000

Remarks: You must be in the EDGE(w/GSM), GSM mode to use this command. Use INSTRUMENT:SElect to set the mode.

### Transmit Power—Averaging State

```
[ :SENSE]:TXPower:AVERAge[:STATe] OFF|ON|0|1
```

```
[ :SENSE]:TXPower:AVERAge[:STATe]?
```

Turn averaging on or off.

Factory Preset  
and \*RST: On

Remarks: You must be in the EDGE(w/GSM), GSM mode to use this command. Use INSTRUMENT:SElect to set the mode.

### Transmit Power—Averaging Mode

```
[ :SENSE]:TXPower:AVERAge:TCONtrol EXPOnential|REPeat
```

```
[ :SENSE]:TXPower:AVERAge:TCONtrol?
```

Select the type of termination control used for the averaging function. This determines the averaging action after the specified number of frames (average count) is reached.

**Exponential** - Each successive data acquisition after the average count is reached, is exponentially weighted and combined with the existing average.

**Repeat** - After reaching the average count, the averaging is reset and a new average is started.

Factory Preset  
and \*RST: Exponential

Remarks: You must be in the EDGE(w/GSM), GSM mode to use this command. Use INSTRument:SElect to set the mode.

### **Transmit Power—Resolution BW**

```
[ :SENSe ] :TXPower :BANDwidth | BWIDth [ :RESolution ] <freq>
```

```
[ :SENSe ] :TXPower :BANDwidth | BWIDth [ :RESolution ] ?
```

Set the resolution BW. This is an advanced control that normally does not need to be changed. Setting it to a value other than the factory default, may cause invalid measurement results.

Factory Preset  
and \*RST: 500 kHz

Range: 1 kHz to 5 MHz

Default Unit: Hz

Remarks: You must be in the EDGE(w/GSM), GSM mode to use this command. Use INSTRument:SElect to set the mode.



### Transmit Power—Resolution BW Filter Type

```
[ :SENSE]:TXPower:BANDwidth|BWIDth[:RESolution]:TYPE  
FLAT|GAUSSian
```

```
[ :SENSe]:TXPower:BANDwidth|BWIDth[:RESolution]:TYPE?
```

Select the type of resolution BW filter. This is an advanced control that normally does not need to be changed. Setting this to a value other than the factory default, may cause invalid measurement results.

Flat top - a filter with a flat amplitude response, which provides the best amplitude accuracy.

Gaussian - a filter with Gaussian characteristics, which provides the best pulse response.

Factory Preset  
and \*RST: Gaussian

Remarks: You must be in the EDGE(w/GSM), GSM mode to use this command. Use INSTRUMENT:SElect to set the mode.

### Transmit Power—Sweep Time

```
[ :SENSE]:TXPower:SWEep:TIME <integer>
```

```
[ :SENSe]:TXPower:SWEep:TIME?
```

Set the number of slots which are used in each data acquisition. Each slot is approximately equal to 600 ms.

Factory Preset  
and \*RST: 1

Range: 1 to 50 time slots (for resolution BW = 500 kHz)

Remarks: You must be in the EDGE(w/GSM), GSM or Service mode to use this command. Use INSTRUMENT:SElect to set the mode.

### Transmit Power—Threshold Level

[ :SENSe ] :TXPower:THReshold <power>

[ :SENSe ] :TXPower:THReshold?

Set the amplitude threshold level. Only the data above the threshold level is kept and used to compute the average transmit carrier power.

Factory Preset

and \*RST: -6.0 dB

Range: -100 dB to 0 dB, for relative mode

-100 dB to +30 dB, for absolute mode

Default Unit: dB

Remarks: You must be in the EDGE(w/GSM), GSM mode to use this command. Use INSTRument:SElect to set the mode.

### Transmit Power—Threshold Type

[ :SENSe ] :TXPower:THReshold:TYPE ABSolute|RELative

[ :SENSe ] :TXPower:THReshold:TYPE?

Select auto or manual control of the threshold level.

Absolute - threshold value is set to an absolute power level

Relative - threshold value is set relative to the reference

Factory Preset

and \*RST: Relative

Remarks: You must be in the EDGE(w/GSM), GSM mode to use this command. Use INSTRument:SElect to set the mode.

## Transmit Power—Trigger Source

```
[ :SENSe ] :TXPower :TRIGger :SOURce  
EXTernal [ 1 ] | EXTernal2 | IF | IMMEDIATE | RFBURSt
```

```
[ :SENSe ] :TXPower :TRIGger :SOURce?
```

Select the trigger source used to control the data acquisitions.

External 1 - front panel external trigger input

External 2 - rear panel external trigger input

IF - internal IF envelope (video) trigger

Immediate - the next data acquisition is immediately taken (also called free run)

RFBURSt - wideband RF burst envelope trigger that has automatic level control for periodic burst signals.

Factory Preset

and \*RST: RF burst

Remarks: You must be in the EDGE(w/GSM), GSM mode to use this command. Use INSTRUMENT:SElect to set the mode.

## Waveform (Time-Domain) Measurement

Commands for querying the waveform measurement results and for setting to the default values are found in the “[MEASure Group of Commands](#)”. The equivalent front panel keys for the parameters described in the following commands, are found under the **Meas Setup** key, after the **Waveform (Time Domain)** measurement has been selected from the **MEASURE** key menu.

### Waveform—Pre-ADC Bandpass Filter

```
[ :SENSe ] :WAVeform:ADC:FILTer : [ :STATe ] OFF | ON | 0 | 1
```

```
[ :SENSe ] :WAVeform:ADC:FILTer : [ :STATe ] ?
```

Turn the pre-ADC bandpass filter on or off. This is an Advanced control that normally does not need to be changed.

Preset: Off

Remarks: To use this command, the appropriate mode should be selected with INSTRUMENT:SElect.

### Waveform—ADC Range

```
[ :SENSe ] :WAVeform:ADC:RANGe
```

```
AUTO | APEak | APLOCK | GROund | M6 | P0 | P6 | P12 | P18 | P24 |
```

```
[ :SENSe ] :WAVeform:ADC:RANGe?
```

Select the range for the gain-ranging that is done in front of the ADC. This is an Advanced control that normally does not need to be changed.

Auto - automatic range

Auto Peak - automatically peak the range

Auto Peak Lock - automatically peak lock the range

Ground - ground

M6 - subtracts 6 dB of fixed gain across the range

P0 to 24 - adds 0 to 24 dB of fixed gain across the range

Factory Preset

and \*RST: Auto

Remarks: To use this command, the appropriate mode should be selected with INSTRUMENT:SElect.

### Waveform—Number of Averages

`[ :SENSe ] :WAVEform:AVERAge:COUNT <integer>`

`[ :SENSe ] :WAVEform:AVERAge:COUNT?`

Set the number of sweeps that will be averaged. After the specified number of sweeps (average counts), the averaging mode (terminal control) setting determines the averaging action.

Factory Preset

and \*RST: 10

Range: 1 to 10,000

Remarks: To use this command, the appropriate mode should be selected with INSTRument:SElect.

### Waveform—Averaging State

`[ :SENSe ] :WAVEform:AVERAge[ :STATe ] OFF | ON | 0 | 1`

`[ :SENSe ] :WAVEform:AVERAge[ :STATe ]?`

Turn averaging on or off.

Factory Preset

and \*RST: Off

Remarks: To use this command, the appropriate mode should be selected with INSTRument:SElect.

### Waveform—Averaging Mode

`[ :SENSe ] :WAVEform:AVERAge:TCONTRol EXPonential | REPeat`

`[ :SENSe ] :WAVEform:AVERAge:TCONTRol?`

Select the type of termination control used for the averaging function. This determines the averaging action after the specified number of 'sweeps' (average count) is reached.

Exponential - Each successive data acquisition after the average count is reached, is exponentially weighted and combined with the existing average.

Repeat - After reaching the average count, the averaging is reset and a new average is started.

Factory Preset

and \*RST: Exponential

Remarks: To use this command, the appropriate mode should be selected with INSTRument:SElect.

### Waveform—Averaging Type

```
[ :SENSe ] :WAVeform:AVERAge:TYPE  
LOG | MAXimum | MINimum | RMS | SCALar  
[ :SENSe ] :WAVeform:AVERAge:TYPE?
```

Select the type of averaging.

Log - The log of the power is averaged. (This is also known as video averaging.)

Maximum - The maximum values are retained.

Minimum - The minimum values are retained.

RMS - The power is averaged, providing the rms of the voltage.

Factory Preset  
and \*RST: RMS

Remarks: To use this command, the appropriate mode should be selected with INSTRument:SElect.

### Waveform—Resolution BW

```
[ :SENSe ] :WAVeform:BANDwidth|BWIDth[:RESolution] <freq>  
[ :SENSe ] :WAVeform:BANDwidth|BWIDth[:RESolution]?
```

Set the resolution bandwidth. This value is ignored if the function is auto-coupled.

Factory Preset  
and \*RST: 100.0 kHz for NADC, PDC, cdma2000, W-CDMA (3GPP), W-CDMA (Trial & Arib), basic, service  
500.0 kHz for GSM  
2.0 MHz for cdmaOne

Range: 1.0 kHz to 5.0 MHz

Remarks: To use this command, the appropriate mode should be selected with INSTRument:SElect.

### Waveform—Resolution BW Filter Type

```
[ :SENSE]:WAVEform:BANDwidth|BWIDth[:RESolution]:TYPE  
FLATtop|GAUSSian
```

```
[ :SENSe]:WAVEform:BANDwidth|BWIDth[:RESolution]:TYPE?
```

Select the type of Resolution BW filter that is used. This is an Advanced control that normally does not need to be changed.

Flat top - a filter with a flat amplitude response, which provides the best amplitude accuracy.

Gaussian - a filter with Gaussian characteristics, which provides the best pulse response.

Factory Preset  
and \*RST: Gaussian

Remarks: To use this command, the appropriate mode should be selected with INSTRUMENT:SElect.

### Waveform—Decimation of Waveform Display

```
[ :SENSe]:WAVEform:DECimate[:FACTor] <integer>
```

```
[ :SENSe]:WAVEform:DECimate[:FACTor]?
```

Set the amount of data decimation done on the IQ data stream. For example, if 4 is selected, three out of every four data points will be thrown away. So every 4th data point will be kept.

Factory Preset  
and \*RST: 1

Range: 1 to 4

Remarks: To use this command, the appropriate mode should be selected with INSTRUMENT:SElect.

### Waveform—Control Decimation of Waveform Display

[ :SENSe ] :WAVeform:DECimate:STATE OFF|ON|0|1

[ :SENSe ] :WAVeform:DECimate:STATE?

Set the amount of data decimation done by the hardware in order to decrease the number of acquired points in a long capture time. This is the amount of data that the measurement ignores.

Factory Preset  
and \*RST: Off

Remarks: To use this command, the appropriate mode should be selected with INSTRument:SElect.

### Waveform—Sweep (Acquisition) Time

[ :SENSe ] :WAVeform:SWEep:TIME <time>

[ :SENSe ] :WAVeform:SWEep:TIME?

Set the measurement acquisition time. It is used to specify the length of the time capture record.

Factory Preset  
and \*RST: 2.0 ms  
10.0 ms, for NADC, PDC  
15.0 ms, for iDEN mode

Range: 1  $\mu$ s to 100 s

Default Unit: seconds

Remarks: To use this command, the appropriate mode should be selected with INSTRument:SElect.



## Waveform—Trigger Source

```
[ :SENSe ] :WAVEform:TRIGger:SOURce EXTErnal[1] |  
EXTErnal2 | FRAMe | IF | IMMEDIATE | LINE | RFBURSt
```

```
[ :SENSe ] :WAVEform:TRIGger:SOURce?
```

Select the trigger source used to control the data acquisitions.

External 1 - front panel external trigger input

External 2 - rear panel external trigger input

Frame - internal frame timer from front panel input

IF - internal IF envelope (video) trigger

Immediate - the next data acquisition is immediately taken (also called free run)

Line - internal line trigger

RF Burst - wideband RF burst envelope trigger that has automatic level control for periodic burst signals

Factory Preset

and \*RST: Immediate (free run), for Basic, cdmaOne, NADC, PDC mode

RF burst, for GSM, iDEN mode

Remarks: To use this command, the appropriate mode should be selected with INSTRument:SElect.

